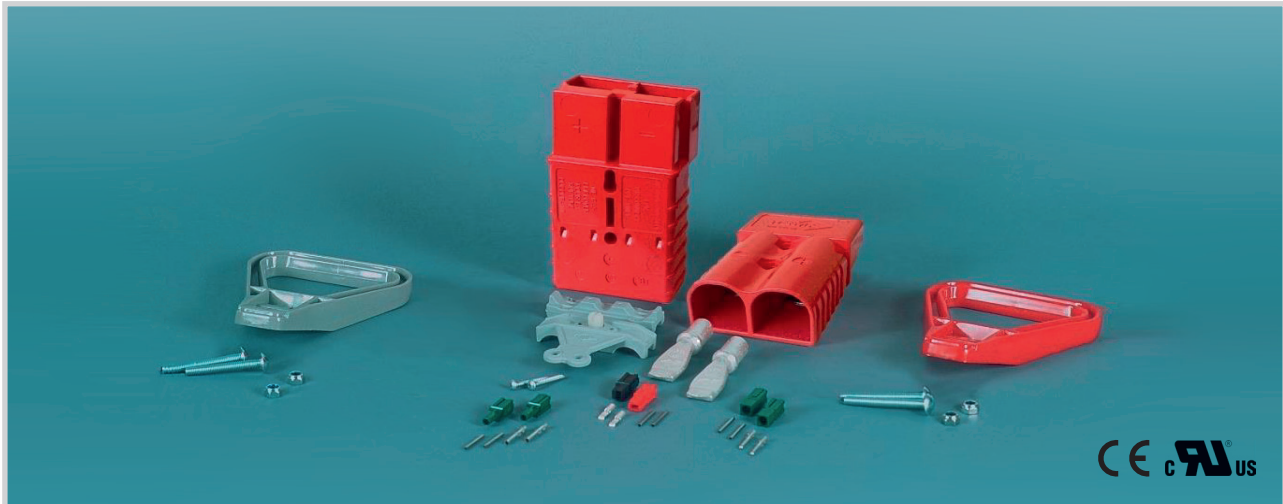




REMA



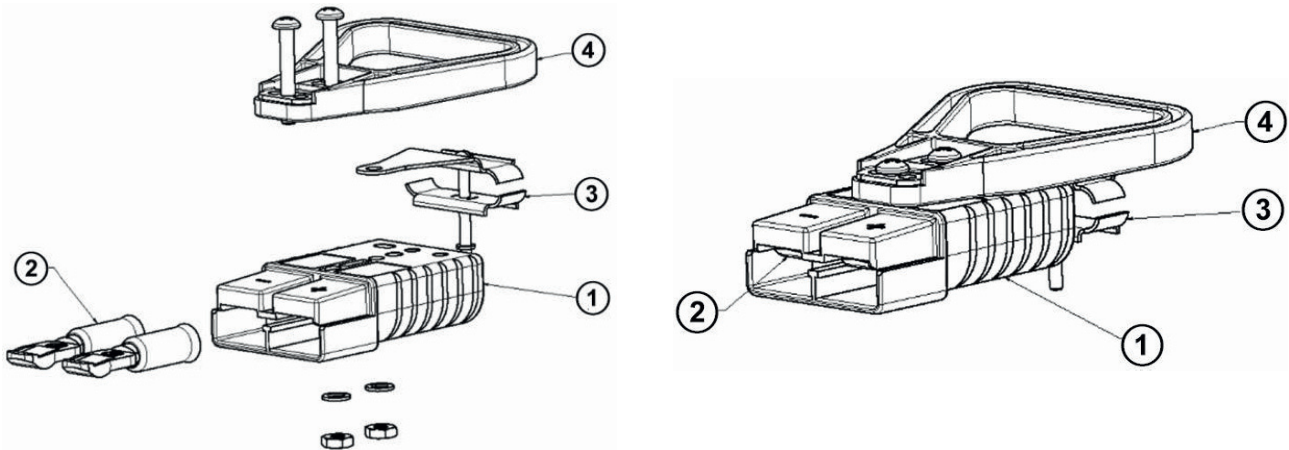
## Product features and advantages

- > Reliable power connection solution for
  - > Electric vehicle batteries
  - > Battery chargers
  - > Other DC voltage applications
  
- > Operating voltage determined by housing color
  - > Simplifies mating of same voltages
  
- > Plug and socket with identical housing design
  - > Reduces quantity of components
  - > Reduces purchasing and storage cost
  
- > Acid resistant housing material
  
- > Handles and strain relieves available
  
- > CE Marking & UL recognized
  
- > Contacts sized for AWG (American Wire Gauge)
  
- > REMA developed high-grade contacts made out of pure high conductive Cu-ETP copper with silver plated surface and an anti-friction and tarnish coating ensure
  - > power transition with minimal losses
  - > long life
  - > suitable for crimping



# REMA

### STRUCTURE AND ITEM NUMBERS



### SR Connector 50

		SR-CONNECTOR 2-POLE complete with housing and 2 contacts			Housing without contacts (Pos 1)
		AWG 10/12	AWG 8	AWG 6	
COLOR	CODING	ITEM-NO.	ITEM-NO.	ITEM-NO.	ITEM-NO.
> Red	24 V	109310	109311	109324	109206
> Grey	36 V	109317	109318	109316	109205
> Black	72V	109320	109321	109319	109207

### Parts / accessories

POS		ITEM-NO.	ITEM-NO.	ITEM-NO.	
2	Contacts	109356	109358	109354	
3	Cable clamp	104756	104756	104756	
4	Handle red with screws	109407	109407	109407	



**REMA**

## SR Connector 175

COLOR	CODING	SR-CONNECTOR 2-POLE complete with housing and 2 contacts			Housing without contacts (Pos 1)
		AWG 4	AWG 2	AWG 1/0	
		ITEM-NO.	ITEM-NO.	ITEM-NO.	ITEM-NO.
> Yellow	12 V	109335	109336	109337	109211
> Orange	18 V	110909	111472	109334	102717
> Red	24 V	109338	109339	109340	109212
> Grey	36 V	109328	109329	109327	109208
> Blue	48 V	109332	109333	109331	109209

## Parts / accessories

POS		ITEM-NO.	ITEM-NO.	ITEM-NO.	
2	Contacts	109360	109364	109363	
3	Cable clamp	102719	102719	102719	
4	Handle grey without screws	109391	109391	109391	
4	Handle red without screws	109399	109399	109399	
4	Handle grey with 2 screws	109392	109392	109392	
4	Handle red with 2 screws	109400	109400	109400	



**REMA**

## SR Gerätesteckvorrichtung 350

COLOR	CODING	SR-CONNECTOR 2-POLE complete with housing and 2 contacts				Housing without contacts (Pos 1)
		AWG 1/0	AWG 2/0	AWG 3/0	AWG 4/0	ITEM-NO.
> Yellow	12 V	109431	109432	111474	---	102734
> Red	18 V	109428	109429	109430	111475	109289
> Grey	24 V	109421	109422	109424	109427	109286
> Blue	36 V	109425	109426	109426	111476	109287
> Green	48 V	111473	109434	109435	---	102735

## Parts / accessories

POS		ITEM-NO.	ITEM-NO.	ITEM-NO.	ITEM-NO.
2	Contacts	109368	109371	102752	102753
3	Cable clamp	102723	102723	102723	102723
4	Handle grey without screws	109409	109409	109409	109409
4	Handle red without screws	109415	109415	109415	109415
4	Handle grey with 2 screws	109410	109410	109410	109410
4	Handle red with 2 screws	109416	109416	109416	109416



# REMA

## TECHNICAL SPECIFICATIONS

### GENERAL

CONNECTOR MODEL	SR50	SR175	SR350
> Wire size	8 AWG	1/0 AWG	4/0 AWG
> Current rating $I_N^{(1)}$	50 A	175 A	350 A
> Voltage rating	600 V	600 V	600 V
> Operating Temperature (incl. self-heating)	-20 °C ... +105 °C -4 °F ... +221 °F		

(1) depending on cross section and installation

### HOUSING MATERIAL DATA

	Standard	>PBT/PC-Blend<
> Halogen-free	DIN VDE 0472-815	yes
> Reaction to fire	UL 94	V-0
> Ozone resistant		yes
> Creepage current resistance	IEC 60112	225 V

### MATERIAL DATA CONTACTS

- > Electrolytic high conductive copper Cu-ETP acc. EN 13601 and silver plated surface

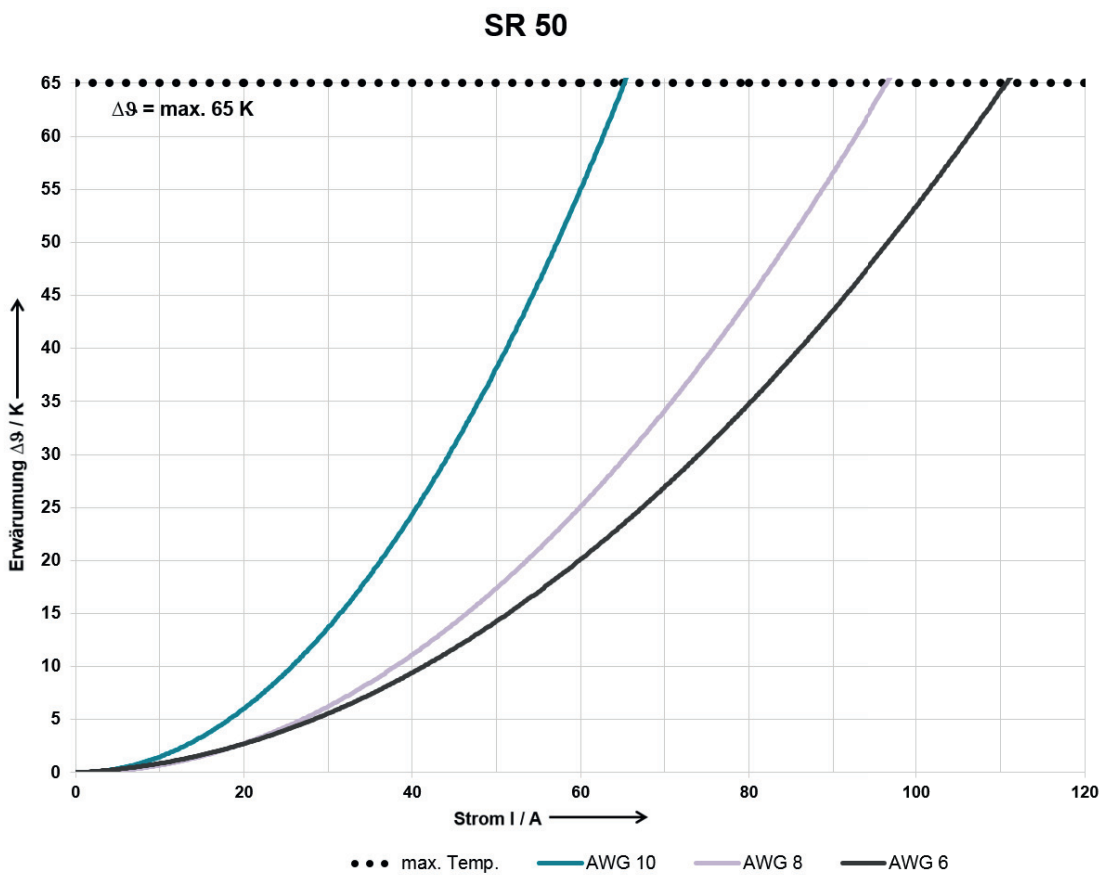


## TEMPERATURE RISE CHARTS

### SR50

REMA® SR50 SR50 connector system is designed for optimum performance when used with 8 AWG cross section cable. The rated operating current is 50 A.

Depending on the cross section and the laying procedure, the current rating is changed.



These following temperature rise curves are for reference.

The actual thermal performance may vary depending upon environmental conditions.

Please contact Emcomp for additional information concerning the SR50.

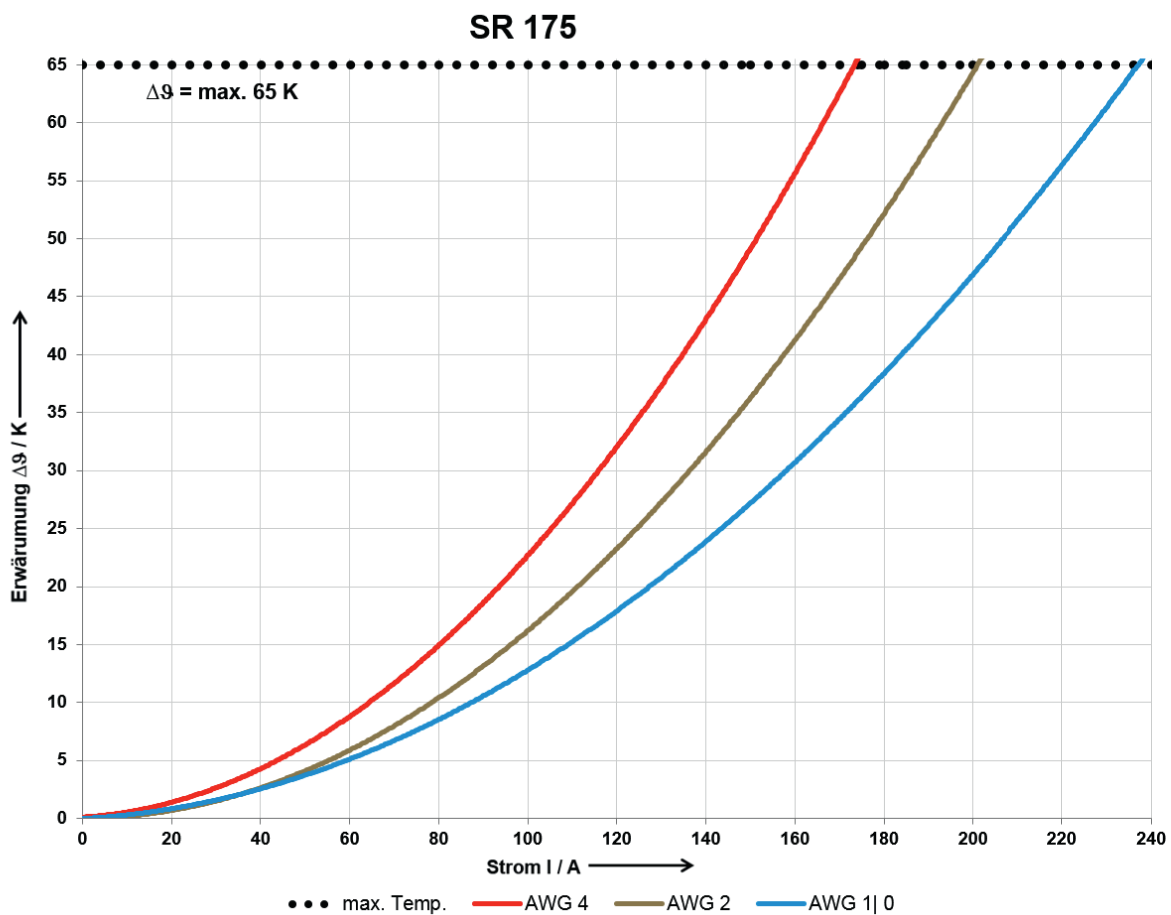


REMA

## SR175

REMA® SR175 connector system is designed for optimum performance when used with 1/0 AWG cross section cable. The rated operating current is 175 A.

Depending on the cross section and the laying procedure, the current rating is changed.



These temperature rise curves are for reference.

The actual thermal performance may vary depending upon environmental conditions.

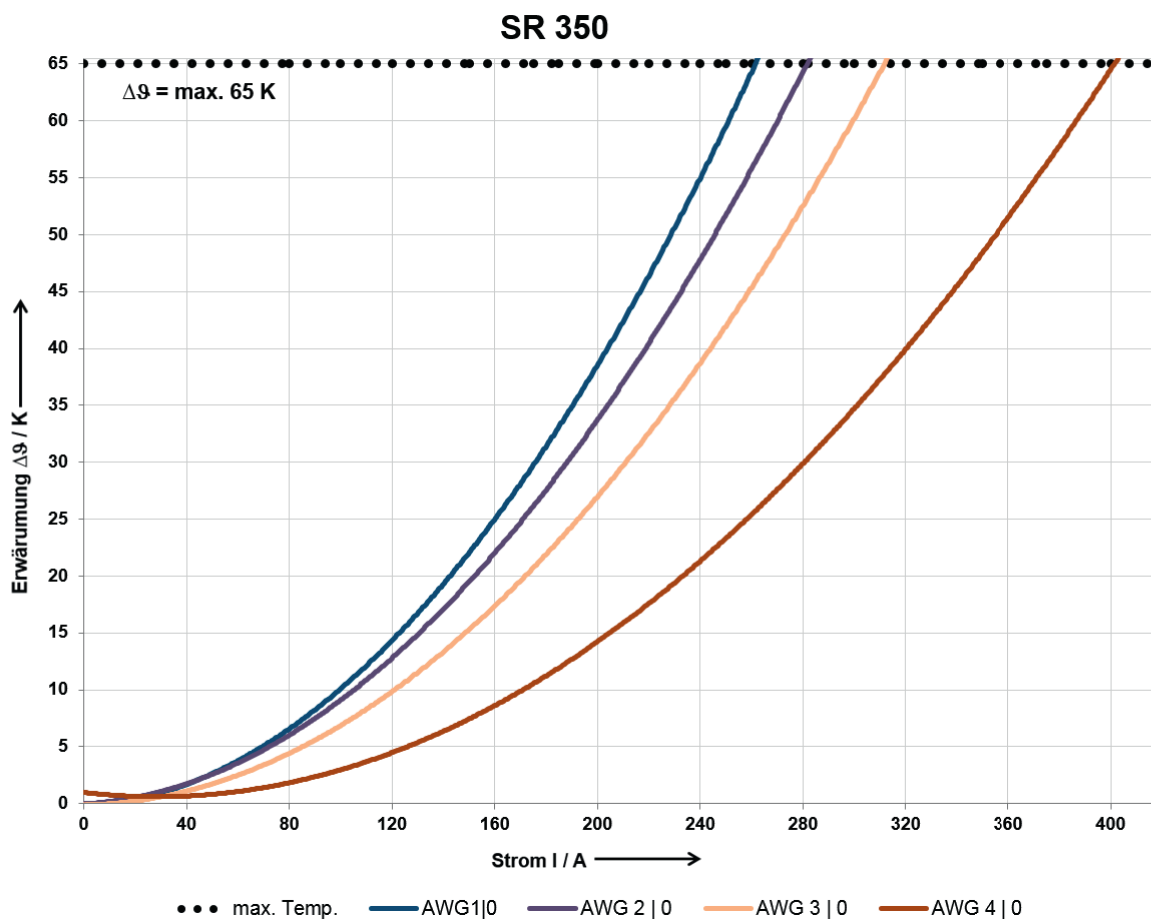
Please contact Emcomp for additional information concerning the SR175.



## SR350

REMA® SR350 connector system is designed for optimum performance when used with 4/0 AWG cross section cable. The rated operating current is 175 A.

Depending on the cross section and the laying procedure, the current rating is changed.



These temperature rise curves are for reference.

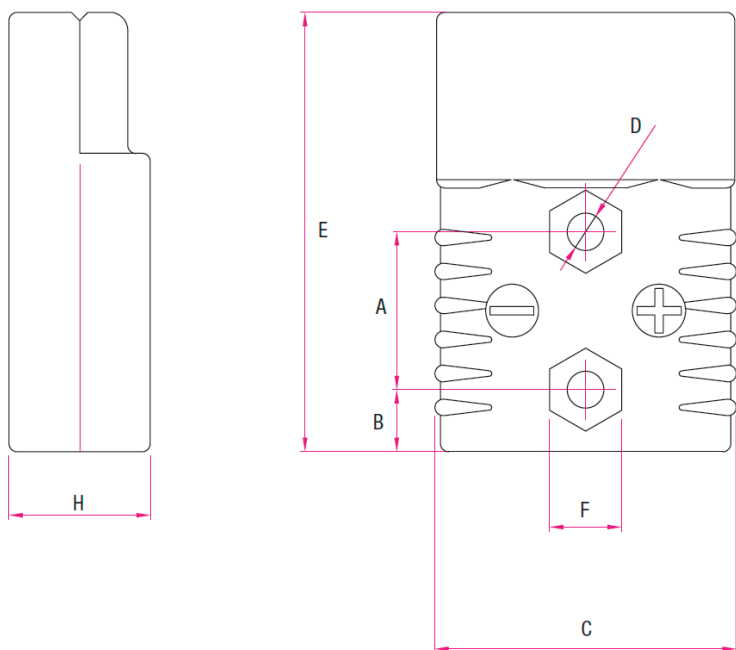
The actual thermal performance may vary depending upon environmental conditions.

Please contact Emcomp for additional information concerning the SR350.





## DRAWINGS



TYPE	A		B		C		D		E		F		H	
	[mm]	[inch]	[mm]	[inch]	[mm]	[inch]	[mm]	[inch]	[mm]	[inch]	[mm]	[inch]	[mm]	[inch]
>SR50	19	0,75	6,2	0,25	35,7	1,38	4	0,16	48	1,89	---	---	15,8	0,62
>SR175	28,6	1,13	11,2	0,44	54,9	2,16	6,6	0,26	79,5	3,13	13,0	0,51	25,4	1,00
>SR350	28,5	1,12	34,7	1,37	70,0	2,75	7,0	0,28	107,5	4,23	13,0	0,51	33,2	1,30



# REMA

## GENERAL PROCESSING INFORMATION SR50 · SR175 · SR350

Installation of contacts and connector by a qualified electrician in accordance with national and local electrical codes and the following instruction only. Crimp contact to the cables according to the´s assembly instructions. The following instructions serve as a reference.

### > 1.Strip wire

- > Select the correct strip length from table 1
- > Do not cut into cable strands

### > 2. Crimpverbindung an den Kabel

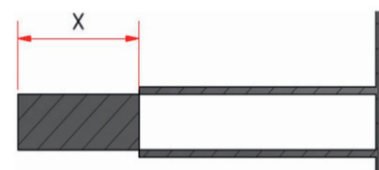
- > Select contact from table 1
- > Use REMA recommended tools only
- > Attention: Ensure contact plane remains unchanged after crimping otherwise misalignment will occur, resulting in possible contact overheating

### > 3. Insert the wired contact into the rear of the hosing according to picture 2

- > Make sure that the smooth contour of the contact is upwards so that the contact underside moves over the housing spring (picture 2) and is retained with an audible click.
- > To check engagement, pull gently on the cable to make sure contact is correctly locked over the housing spring

**Table 1: Overview Table**

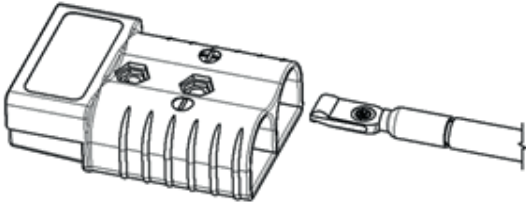
TYPE	Contact Item-No.	Wire Size AWG or mm <sup>2</sup>	„X“ in mm acc. pic. 1	X“ in inches acc. pic. 1
>SR50	109356	10/12 AWG	13,5	0,53
>SR50	109358	8 AWG	12,5	0,49
>SR50	109354	6 AWG	12	0,47
>SR175	109360	4 AWG	26	1,02
>SR175	109364	2 AWG	26,5	1,02
>SR175	109363	1/0 AWG	26	1,04
>SR350	109368	1/0 AWG	30,5	1,2
>SR350	109371	2/0 AWG	30,5	1,2
>SR350	102752	3/0 AWG	33	1,29
>SR350	102753	4/0 AWG	33	1,29



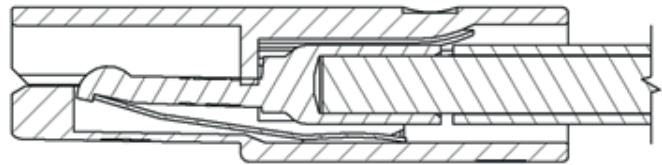
Picture1: Strip length



REMA



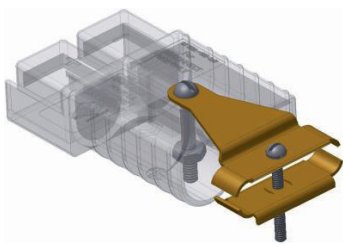
Picture 2: Assembly of wired contact into housing



Picture 3: Installed contact into housing

## Disassembly

- Switch off power the contact according to DIN EN 60079-14 when dis-assembling the contact
- Remove contact by pressing the spring at the front of the connector with a small insulated screwdriver. Simultaneous while pressing the spring, pull gently on the cable to remove the contact from the housing



## SAFETY NOTE

### Lay the cables free of tension!

In torsional and / or tensile forces in the cable using the cable clamp

REMA SR is recommended

SR50 Part-No.: 104756

SR175 Part-No.: 102719

SR350 Part-No.: 102723





# REMA

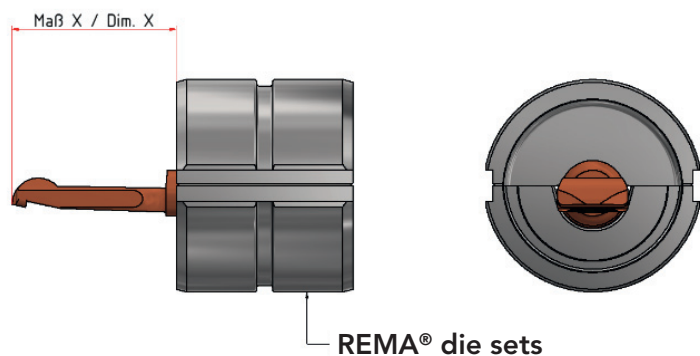
## DIE SETS

### General processing information

- Please only use original REMA die sets. Only those guarantee a secure electrical connection.
- Please actuate the REMA made - die sets always until the end.
- Only process contacts with clean sleeves. The contaminated crimpsleeves increase the contact resistance and may lead to overheating.
- REMA made - die sets are manufactured from hardened tooling steel and have a long life cycle. Nevertheless they must be monitored regularly if under heavy use. REMA is glad to advise you about the service life assessment of your die sets.
  - REMA offers an electrical and a microscopic analysis of your crimp samples upon request.
- Please always set the die sets centred on the crimp sleeves



TYPE	CABLE CROSS SECTION	Dim. X	
		[mm]	[inch]
>SR50	AWG 10/12	app. 6	app. 15,2
>SR50	AWG 8	app. 7	app. 17,8
>SR50	AWG 6	app. 8	app. 20,3
>SR175	AWG 4	app. 28	app. 71,1
>SR175	AWG 2	app. 28	app. 71,1
>SR350	AWG 1/0	app. 42	app. 106,7
>SR350	AWG 2/0	app. 42	app. 106,7
>SR350	AWG 3/0	app. 42	app. 106,7
>SR350	AWG 4/0	app. 42	app. 106,7





# REMA

## Extract of the available crimping range

TOOL	CROSS SECTION	DIE SET TYPE	DIE SET ITEM-NO.
> Compression head C60 ST	10 AWG	Indent	107044
> Compression head C60 ST	8 AWG	Indent	107044
> Compression head TPK 130	6 AWG	double indent	107182
> Compression head TPK 130	4 AWG	double indent	107187
> Compression head TPK 130	2 AWG	double indent	107191
> Compression head TPK 130	1/0 AWG	double indent	107196
> Compression head TPK 130	2/0 AWG	double indent	107201
> Compression head TPK 130	3/0 AWG	double indent	107204
> Compression head TPK 130	4/0 AWG	double indent	110837

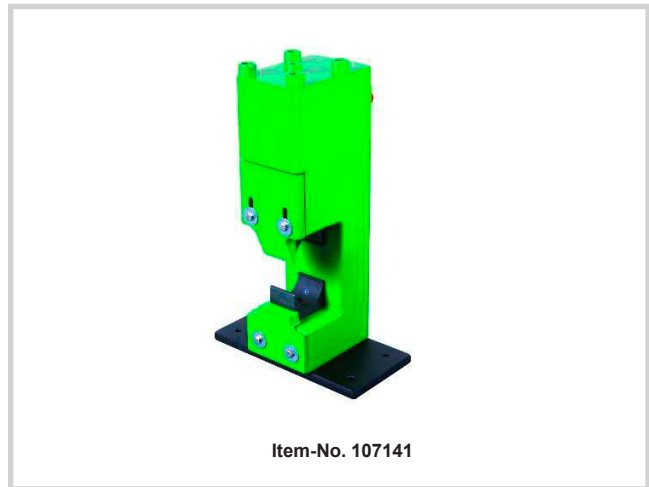


REMA

## TOOLS AND ACCESSORIES

### Hydraulic Table compression head TPK 130

- > Workshop capable version for frequent use
- > With hydraulic-cylinder for connection to hydraulic pumps
- > Incl. coupling male
- > For double deep die sets from 16 mm<sup>2</sup> to 120 mm<sup>2</sup>
- > For total cable diameter up to Ø 38 mm
- > Working pressure: max. 700 bar
- > Force of pressure: 130 kN



Item-No. 107141

### Hydraulic compression head CG 130

- > Mobile version for work on site
- > With hydraulic-cylinder for connection to hydraulic pumps
- > Incl. coupling male
- > For double deep die sets from 16 mm<sup>2</sup> to 120 mm<sup>2</sup>
- > For total cable diameter up to Ø 38 mm
- > Working pressure: max. 700 bar
- > Force of pressure: 130 kN



Item-No. 102468



## REMA

### Hydraulic compression head H 250 incl. adapter H250/130

- Mobile version for work on site
- With hydraulic-cylinder for connection to hydraulic pumps
- Incl. coupling male
- For double deep die sets from 16 mm<sup>2</sup> to 240 mm<sup>2</sup>
- For total cable diameter up to Ø 38 mm
- Working pressure: max. 700 bar
- Force of pressure: 250 kN



### Electro hydraulic pump EP 2 W

- Operating voltage 230 V AC | 50 Hz
- Total compact self-contained model
- Suitable for hydraulic compression heads CG 130 and H 250 and more REMA® compressionheads
- Working pressure: max. 700 bar
- Mechanical and electrical pressure relief valve
- With 1,5 m hose incl. female quick coupler





**REMA**

### Electro hydraulic pump EP 4 WF

- > Operating voltage 230 V AC und 400 V AC (50Hz)
- > Total compact self-contained model
- > Suitable for hydraulic compression heads CG 130 and H 250 and more REMA compression heads
- > Working pressure: max. 700 bar
- > Mechanical and electrical pressure relief valve
- > Independent electrical control sequence
- > Off switch with emergency off switch as a footswitch
- > Especially for workshop operation and mass production



**VOLTAGE**

**ITEM-NO.**

230 V AC | 50 Hz

111349

400 V AC | 50 Hz

111350

### Hydraulic foot-operated pump FP 3

- > Double piston pump with automatic change-over
- > With pressure relief valve
- > By interchanging preselected pressure hoses



**MODEL**

**ITEM-NO.**

With female quick coupler

111351





### High pressure hose with coupler



LENGTH	COATING	CONNECTION	ITEM-NO.
2 m	steel (not isolated)	extension	107101
3 m	steel (not isolated)	extension	107102
4 m	steel (not isolated)	extension	102353
5 m	steel (not isolated)	extension	102354