

B Frame - Series Circuit Breakers



The B Frame is a very compact yet robust circuit breaker. Used in various applications where space is constrained, the B Frame is available in a variety of configurations, with different types of handles such as standard, rocker, protected rocker, push-pull, and push-reset handle types. The B Frame is suitable for various applications in telecoms, lighting, railway signalling and solar applications. The B Frame is also available as a 300Vdc double pole switch.

B Frame Profile

The B Frame is available in single pole and double pole configurations. This miniaturised precision breaker is available for both AC and DC applications, with a choice of time delay characteristics and auxiliary switch options. The B Frame provides the solution when space constraints exist.

Approvals

The B Frame circuit breaker carries various approvals such as VDE, cURus, CSA, EAC, CCC and is CE certified. It is also recognised to UL 1077, UL 1500, UL 508 and listed to UL 489A.



Features

- AC and DC circuit breaker
- Hydraulic-magnetic technology
- 100% rating capability independent of ambient temperature
- Up to two poles
- VDE, EAC and CCC approved, CE certified
- UL compliant (recognised / listed)
- Ratings 0.1 A to 30 A (specific certifications)
- Precision tripping characteristics
- Wide range of circuits, mountings, terminations and time delays
- Optional auxiliary switch
- Optional illuminated rocker handle
- 300Vdc switch

Applications

- Lighting equipment
- Office equipment
- Power supplies
- Telecom power distribution
- Small generators and motors
- Railway signalling systems
- Entertainment systems
- Marine power systems
- Vending machines
- Power distribution units (PDU)
- Suitable for motor starting
- Solar and renewable power

B Frame - Series Circuit Breakers

Technical Data

Product Type	B Frame
Operating Temperature Range	-40°C to +85°C
Endurance	Minimum of 1000 operations with current (UL 489A Clause 12)* 6000 operations with current (UL 1077 Clause 22, UL 508 Clause 48)*
Dielectric Strength	1000 Vac plus twice the rated voltage for one minute (UL 489A Clause 8, UL 1077 Clause 23, UL 508 Clause 51)*
Rated Impulse Withstand Voltage	2.5 kV (IEC 60934 Clause 8.1.3.1.1)*
Weight	30 g single pole, 60 g double pole (unpacked)
Altitude	Certification tests done at altitude ≈ 2000 metres. Will operate at higher altitudes.
Humidity	35% and 95% relative humidity
Shock	50 G to IEC 60068-2-27
Vibration	10 G to MIL-STD-202F
Flammability	I3 - Ignition does not persist at 850°C after glow wire is withdrawn with an oxygen index of ≥ 28
Toxicity	F1 - Smoke index of ≤ 20 which determines the fume class
Pollution Degree	PD2 - Normally only non-conductive pollution occurs. Temporary conductivity caused by condensation is to be expected.
Accessories	Mounting accessories, legend plate

* Refer to the standard for details

Product Type	Circuit Breaker	Circuit Breaker	Switch
Approvals	UL 1077 / CSA, UL 1500, IEC / EN 60934, CCC, CE, EAC	UL 489A, IEC / EN 60934	UL 508
Number of Poles	1, 2	1	2
Maximum Voltages	240 Vac, 65 Vdc	80 Vdc	300 Vdc
Current Ratings	0.1 - 30 Aac, 0.1 - 25 Adc	0.1 - 30 Adc	15 Adc
Interrupting Capacity	1 kA @ 240 Vac 0.5 kA @ 65 Vdc	0.6 kA @ 80 Vdc 1 kA @ 65 Vdc	-
DC Polarity	-	Polarity sensitive	Polarity sensitive

Ordering Information

	Code	Description	Code	Description
	Group 1: Frame, Colour and Handle Type	BA	Black body, square handle	BP
BB		Black body, paddle handle	BQ	Grey body, paddle handle
BC		Black body, baton handle	BR	Grey body, baton handle
BD		Black body, rocker handle	BS	Grey body, rocker handle
BE		Black body, illuminated rocker handle	BT	Grey body, illuminated rocker handle
BF		Black body, push-to-reset handle	BV	Grey body, push-to-reset handle
BG		Black body, push-pull handle	BW	Grey body, push-pull handle
BH		Black front plate, feed through pole	BZ	Black body, cut-off handle
Group 2: Mounting		Code	Description	Comments
	A	Centre lock (thread neck) metric (M12)	Thread neck. Rocker handle is not an option.	
	C	Centre lock (thread neck) imperial (1/2" - 32)	Thread neck. Rocker handle is not an option.	
	G	Snap-in vertical mounting without rocker guard	Rocker & illuminated rocker handle only	
	H	Snap-in vertical mounting with rocker guard	Rocker & illuminated rocker handle only	
	M	Snap-in horizontal mounting without rocker guard	Rocker & illuminated rocker handle only	
	N	Snap-in horizontal mounting with rocker guard	Rocker & illuminated rocker handle only	
	P	PCB mounting - centre lock (thread neck) mount only	M12 thread neck only, 1 pole only	
	Q	Centre lock (thread neck) - imperial (3/8" - 32)	Thread neck. Only option for double pole push-to-reset and push-pull handles. Rocker handle is not an option.	
R	Clip-in mounting - centre lock (thread neck) push-pull & push-to-reset only	Rocker handle is not an option		
Group 3: Number of Poles and Termination	Code	Description	Code	Description
	1	Single pole, quick connect	A	Single pole, bent terminal 90° outward
	2	Double pole, quick connect	B	Double pole, bent terminal 90° outward
	3	Single pole unit, screw terminal 45° bent	C	Single pole, screw terminal (M4 / 8-32)
	4	Double pole unit, screw terminal 45° bent	D	Double pole, screw terminal (M4 / 8-32)
	5	Single pole, clamp terminal	Z	Special - specify
	6	Double pole, clamp terminal		

B Frame - Series Circuit Breakers

Ordering Information

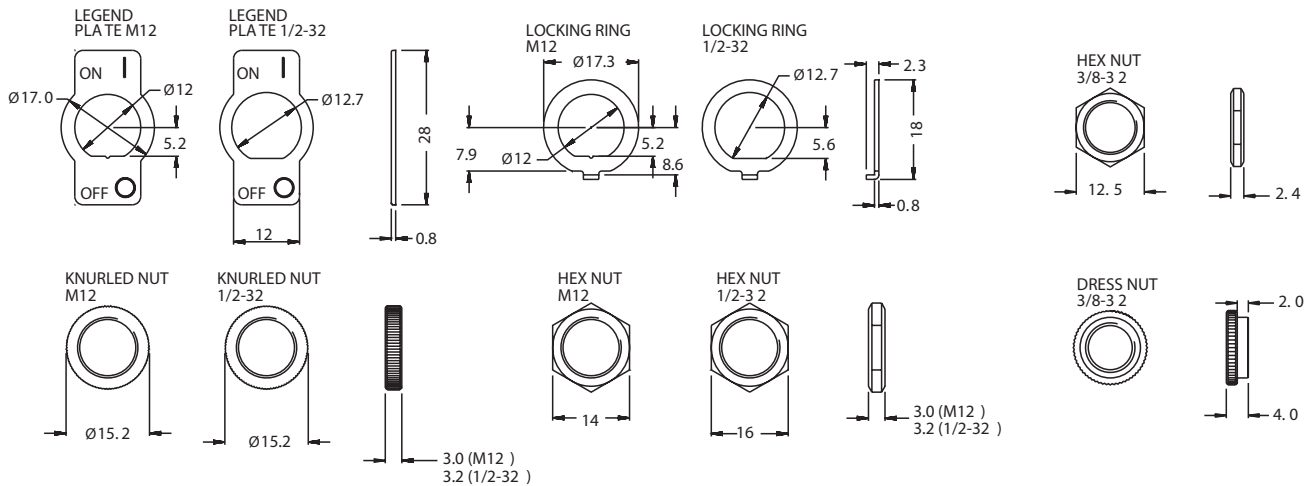
Group 4: Rated Voltage - Main Circuit	Code	Description		Comments				
	D	50 Vdc		Choose D in Group 5				
	E	65 Vdc		Choose D in Group 5				
	F	80 Vdc - polarity sensitive		Choose D in Group 5				
	M	65 Vdc / 240 Vac		Choose M in Group 5				
	P	240V		Choose A in Group 5				
Group 5: Frequency	Code	Description		Comments				
	A	AC 50 / 60Hz		Group 4 option P only				
	D	DC		Group 4 options E, F and T				
	M	AC / DC		Group 4 option M only				
	Group 6: Circuit Configuration (Circuit Breaker's Internal Construction)	Code	Description		Comments			
		A	Switch		May be used with auxiliary			
B		Series trip (circuit breaker, current coil in series)		May be used with auxiliary				
C		Relay trip (current sensing) 4 terminal (auxiliary not available)		Auxiliary not an option				
D		Relay trip (voltage sensing) 4 terminal		Auxiliary not an option				
E		Shunt trip 3 terminal (current sensing)		Auxiliary not an option				
Group 7: Auxiliary Switch(es)	Code	Description		Comments				
	0	No auxiliary switch		Only option with rear flush screw terminal				
	1	1 x change-over (3 A - 125 Vac, 24Vdc)		Silver contacts				
	3	1 x change-over (0.1 A - 125 Vac, 30Vdc)		Gold contacts				
Group 8: Handle, Indicator Colour and Marking (Specify Current Rating on Front or Handle if Required)	Code	Description		Code	Description			
	X	Not applicable		L	Black (I-O & ON-OFF)			
	2	White (no marking)		W	Black (I-O & ON-OFF)			
	3	Black (no marking)		Y	Red (I-O & ON-OFF)			
	A	Green (I-O & ON-OFF)		Z	Special - specify			
	K	White (I-O & ON-OFF)						
Group 9: Voltages for Illuminated Rocker Units (Illuminated only)	Code	Description		Code	Description			
	1	100 – 110 Vac lead connectors		B	200 – 240 Vac terminal connectors			
	2	200 – 240 Vac lead connectors		C	4 - 8Vdc terminal connectors (please specify)			
	3	4 - 8 Vdc lead connectors (please specify)		D	16 – 24Vdc terminal connectors			
	4	16 – 24Vdc lead connectors		E	24 – 32Vdc terminal connectors (external resistor required)			
	5	24 – 32Vdc lead connectors (external resistor required)		G	8 – 16Vdc terminal connectors			
	7	8 – 16Vdc lead connectors		X	Not applicable			
	A	100 – 110 Vac terminals connectors						
Group 10: Time Delay Characteristics, Pulse Tolerance at 10 ms	Code	Description	System	Pulse Tolerance (X In)	Code	Description	System	Pulse Tolerance (X In)
	AD	Long time delay - AS & dual rated	AC and DC	6 - 8	CS	Short delay	AC or DC	6 - 8
	BD	Medium time delay - BS & dual rated	AC and DC	6 - 8	AW	Long time delay - AD & inertia delay	AC and DC	11 - 12
	CD	Short time delay - CS & dual rated	AC and DC	6 - 8	BW	Medium time delay - BD & inertia delay	AC and DC	11 - 12
	AI	Long time delay - AS & inertia delay	AC or DC	11 - 12	CW	Short time delay - CD & inertia delay	AC and DC	12
	BI	Medium time delay - BS & inertia delay	AC or DC	11 - 12	OX	Switch	AC and DC	-
	CI	Short time delay - CS & inertia delay	AC or DC	11 - 12	OP	Instantaneous trip	AC and DC	None
	AS	Long delay	AC or DC	6 - 8	ZZ	Special - specify		
	BS	Medium delay	AC or DC	6 - 8				
	Group 11: Rated Current (Main Circuit)	Code	Description		Comments			
XXXX		No rating		Examples only - Specific A ratings possible from 0.02 A- 30 A				
050M		50 mA						
0500		5 A						
1000		10 A						
1250		12.5 A						
3000	30 A							
Group 12: Voltage and Current Ratings for Shunt and Relay Trip Construction	Code	Description		Code	Description			
	X	Not applicable		D024	24Vdc voltage coil			
	A024	24 Vac / dc voltage coil		M100	100 mA current coil			
	A065	65 Vac voltage coil		M020	20 mA current coil			
	A100	100 Vac voltage coil		K005	5 A current coil			
	A110	110 - 125 Vac voltage coil		K015	15 A current coil			
	A220	220 - 240 Vac voltage coil		K025	25 A current coil			
D012	12Vdc voltage coil		Z	Special - specify				
Group 13: Approvals / Marks	Code	Description		Comments				
	1	CUR, UL recognised, UL 1077, CSA, IEC / EN 60934, VDE, CE						
	2	No third approvals						
Group 14: Safety Marks	Code	Description		Comments				
	1	CCC / CRCC		For products exported to People's Republic of China				
	2	Not applicable						

For options not listed, please contact CBI

B Frame - Series Circuit Breakers

Mounting Accessories

Mounting hardware must be ordered separately. Legend plates available for M12 and 1.2" only.



Mounting Kit Ordering Information

Reference	A	B	C	D	E	F	G	H	I	J	K
Mounting Kit Description	2 x Hex nuts	2 x Hex nuts 1 x Vertical legend plate	2 x Hex nuts 1 x Horizontal legend plate	2 x Hex nuts 1 x Vertical legend plate 1 x Locking ring	2 x Hex nuts 1 x Horizontal legend plate 1 x Locking ring	1 x Hex nut 1 x Knurled nut 1 x Vertical legend plate	1 x Hex nut 1 x Knurled nut 1 x Horizontal legend plate	1 x Hex nut 1 x Knurled nut 1 x Vertical legend plate 1 x Locking ring	1 x Hex nut 1 x Knurled nut 1 x Horizontal legend plate 1 x Locking ring	1 x Hex nut 1 x Dress nut	1 x Hex nut 1 x Knurled nut

Reference	M12 Order Number	1/2" - 32 Order Number	3/8" - 32 Order Number
A	3670031	3670041	3670129
B	3670032	3670042	-
C	3670033	3670043	-
D	3670034	3670044	-
E	3670035	3670045	-
F	3670036	3670046	-
G	3670037	3670047	-
H	3670038	3670048	-
I	3670039	3670049	-
J	-	-	3670130
K	3670338	3670337	-

Please review our Customer Terms and Conditions on www.cbi-lowvoltage.co.za

© 2016.09 CBI (Pty) Ltd. All Rights Reserved.

All rights reserved. Unless otherwise indicated, all materials on these pages are copyrighted by CBI (Pty) Ltd. No part of these pages, either text or image may be used for any purpose other than personal use. Therefore, reproduction, modification, storage in a retrieval system or retransmission, in any form or by any means, electronic, mechanical or otherwise, for reasons other than personal use, is strictly prohibited without prior written permission. CBI (Pty) Ltd reserves the right to alter any details of this document without notice and while every effort is made to ensure the accuracy of the content, no warranty is given as to the accuracy of this document and no responsibility will be accepted for error or misinterpretation and any resulting loss.

SCANDINAVIA

Emcomp International AB

Box 7, Hemvägen 12
732 71, Fellingsbro Sweden
Tel: +46 (0)581 62 15 50
Fax: +46 (0)581 62 15 60
Email: info@emcomp.se
Website: www.emcomp.se

EUROPE

Emcomp International AB

Gewerbepark 23
85250 Altomünster Germany
Tel: +49 8254 994 334 10
Fax: +49 8254 994 334 19
Email: info@emcomp.de
Website: www.emcomp.de