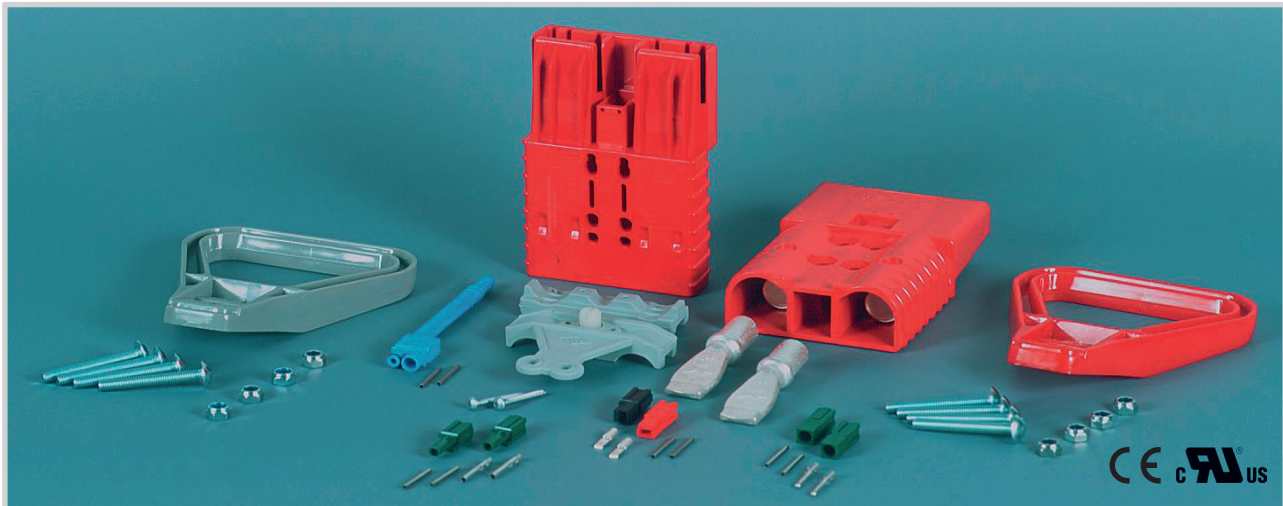




REMA



Product features and advantages

- > Reliable power connection solution for
 - > Electric vehicle batteries
 - > Battery chargers
 - > Other DC voltage applications

- > Operating voltage determined by housing color
 - > Simplifies mating of same voltages

- > Plug and socket with identical housing design
 - > Reduces quantity of components
 - > Reduces purchasing and storage cost

- > Acid resistant housing material

- > Handels, strain relieves and auxiliary contacts optional

- > CE Marking & UL recognized

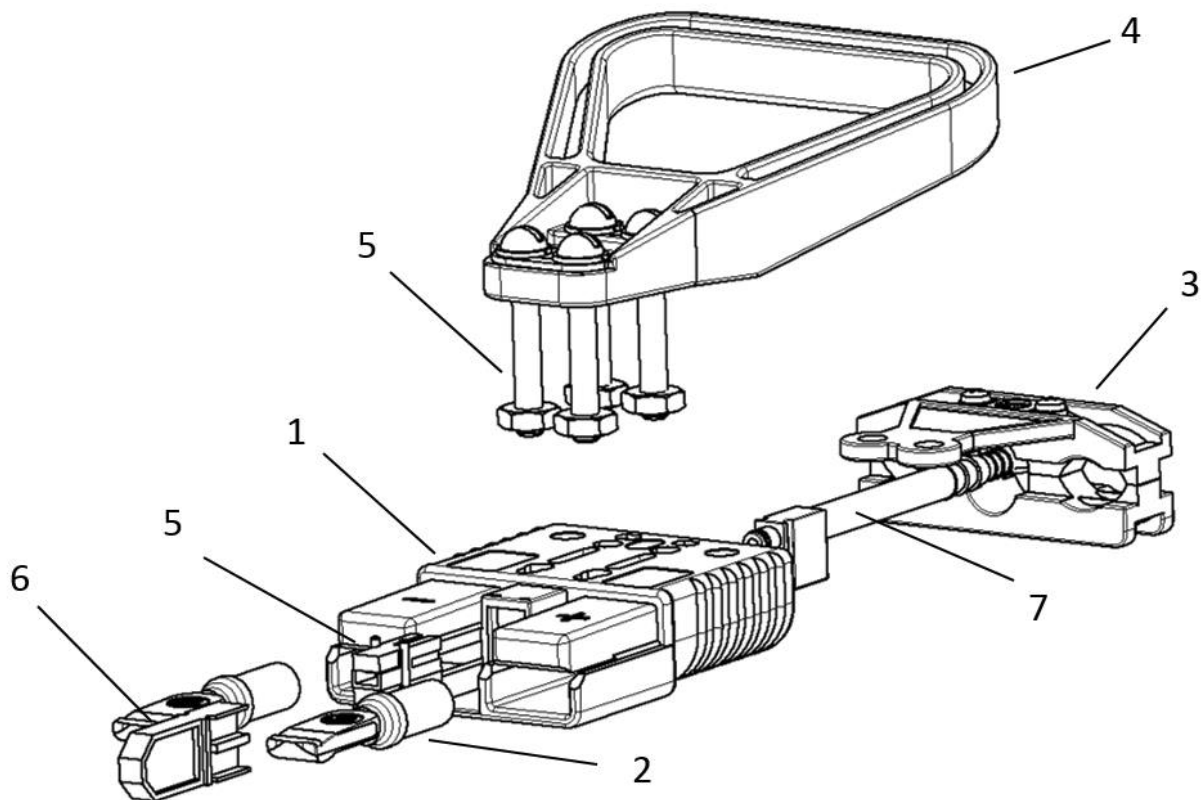
- > Contacts sized for AWG (American Wire Gauge) and metric cross sections

- > REMA developed high-grade contacts made out of pure high conductive Cu-ETP copper with silver plated surface and an anti-friction and tarnish coating ensure
 - > power transition with minimal losses
 - > long life
 - > suitable for crimping



REMA

STRUCTURE AND ITEM NUMBERS





REMA

SRE Connector 160

COLOR	CODING	SRE-CONNECTOR 2-POLE complete with housing and without auxiliary contacts				SRE-CONNECTOR 2-POLE (POS 1) complete with housing and auxiliary contacts			
		16mm ²	25mm ²	35mm ²	50mm ²	16mm ²	25mm ²	35mm ²	50mm ²
> Yellow	12 V	---	109226	109249	109227	---	111390	111391	111391
> Orange	18 V	---	109224	109246	109225	---	111388	109247	111389
> Red	24 V	---	109228	109251	109229	---	109266	109254	109275
> Grey	36 V	---	109220	109238	109221	---	111387	109240	109235
> Blue	48 V	---	109222	109242	109223	---	111386	109244	109236
> Green	72 V	---	109230	109263	109231	---	111385	109255	109277
> Black	80V	111382	110563	109264	109234	111384	111383	109256	109279

Parts / accessories

POS		16mm ²	25mm ²	35mm ²	50mm ²	16mm ²	25mm ²	35mm ²	50mm ²
2	Main contacts	7828400	7828200	7828300	7828100	7828400	7828200	7828300	7828100
3	Cable clamp		109201				109201		
4	Handle grey		109393				109393		
4	Handle red		109411				109411		
5	Handle grey with 4 screws		109393				109393		
5	Handle red with 4 screws		109401				109401		
6	Coding pin yellow		109252				109252		
>	Handle grey, straight type		109405				109405		
>	Auxiliary contact set		---				109257		
>	Female set		---				102732		
>	Male set		---				102733		



REMA

SRE Connector 320

COLOR	CODING	SRE-CONNECTOR 2-POLE complete with housing and without auxiliary contacts				SRE-CONNECTOR 2-POLE (POS 1) complete with housing and auxiliary contacts			
		35mm ²	50mm ²	70mm ²	95mm ²	35mm ²	50mm ²	70mm ²	95mm ²
> Yellow	12 V	---	110913	109459	111395	---	109322	109323	109325
> Orange	18 V	---	111396	109464	109467	---	111401	111402	111403
> Red	24 V	109470	109446	109447	109449	111404	109303	109304	109306
> Grey	36 V	109469	109438	109439	109441	111405	109295	109296	109298
> Blue	48 V	111397	109442	109443	109445	111406	109300	109301	111407
> Green	72 V	111398	109450	109451	111400	111408	110908	109307	109309
> Black	80V	110914	109455	109456	109458	111409	109312	109313	109315
> Brown	96V	---	111399	109465	109468	---	111410	111411	111412
> Purple	120V	---	109466	110393	110393	---	109326	109326	109326

Parts / accessories

POS		35mm ²	50mm ²	70mm ²	95mm ²	35mm ²	50mm ²	70mm ²	95mm ²
2	Main contacts	102756	109199	109384	109389	102756	109199	109384	109389
3	Cable clamp		109201				109201		
4	Handle grey		109393				109393		
4	Handle red		109411				109411		
5	Handle grey with 4 screws		109393				109393		
5	Handle red with 4 screws		109401				109401		
6	Coding pin yellow		109252				109252		
>	Handle grey, straight type		109405				109405		
>	Auxiliary contact set		---				109257		
>	Female set		---				102732		
>	Male set		---				102733		



REMA

SRX Connector 175

COLOR	CODING	SRX-CONNECTOR 2-POLE complete with housing and without auxiliary contacts AWG1/0	SRX-CONNECTOR 2-POLE (POS 1) complete with housing and auxiliary contacts AWG1/0
> Yellow	12 V	109248	109250
> Orange	18 V	109245	111414
> Red	24 V	109250	109253
> Grey	36 V	109237	109239
> Blue	48 V	109241	109243
> Green	72 V	109259	111415

Parts / accessories

POS		AWG1/0	AWG1/0
2	Main contacts	109374	109374
3	Cable clamp	109201	109201
4	Handle grey	109393	109393
4	Handle red	109411	109411
5	Handle grey with 4 screws	109393	109393
5	Handle red with 4 screws	109401	109401
6	Coding pin yellow	109252	109252
>	Handle grey, straight type	109405	109405
>	Auxiliary contact set	---	109257
>	Female set	---	102732
>	Male set	---	102733



REMA

SRX Connector 350

COLOR	CODING	SRX-CONNECTOR 2-POLE complete with housing and without auxiliary contacts AWG2/0	SRX-CONNECTOR 2-POLE (POS 1) complete with housing and auxiliary contacts AWG2/0
> Yellow	12 V	111416	111417
> Orange	18 V	109285	111418
> Red	24 V	109278	109280
> Grey	36 V	109272	109273
> Blue	48 V	109274	109276
> Green	72 V	109281	109282
> Black	80 V	109283	109284

Parts / accessories

POS		AWG2/0	AWG2/0
2	Main contacts	109385	109385
3	Cable clamp	109201	109201
4	Handle grey	109393	109393
4	Handle red	109411	109411
5	Handle grey with 4 screws	109393	109393
5	Handle red with 4 screws	109401	109401
6	Coding pin yellow	109252	109252
>	Handle grey, straight type	109405	109405
>	Auxiliary contact set	---	109257
>	Female set	---	102732
>	Male set	---	102733



REMA

SRE160 AIR (with air supply system)

SRE160.O.PIL.GELB.M.AIR-SUP.50		SRE-CONNECTOR 2-POLE complete with housing and without auxiliary contact (POS 7)	
COLOR	CODING	35mm ²	50mm ²
> Yellow	12 V	111419	111423
> Orange	18 V	111420	111424
> Red	24 V	108080	108077
> Grey	36 V	108078	111425
> Blue	48 V	108079	111426
> Green	72 V	111421	111427
> Black	80V	111422	111428

SRE320 AIR (with air supply system)

		SRE-CONNECTOR 2-POLE complete with housing and without auxiliary contact (POS 7)	
COLOR	CODING	50mm ²	70mm ²
> Yellow	12 V	111429	111433
> Orange	18 V	111430	111434
> Red	24 V	108088	110391
> Grey	36 V	111431	111435
> Blue	48 V	108086	108087
> Green	72 V	108089	111436
> Black	80V	108090	108091
> Brown	96V	111432	111437

Housings without contacts with air supply system

		SRE-CONNECTOR 2-POLE complete with housing and without auxiliary contact (POS 7)	
COLOR*	CODING	SRE160 AIR	SRE320 AIR
> Yellow	12 V	111438	111441
> Orange	18 V	108075	111442
> Red	24 V	108076	108083
> Grey	36 V	110386	108081
> Blue	48 V	108074	108082
> Green	72 V	111439	108084
> Black	80V	111440	108085
> Brown	96V	---	111443
> Purple	120V	---	---

* Recommended colour - voltage coding



TECHNICAL SPECIFICATIONS

GENERAL

CONNECTOR MODEL	SRE160	SRE320	SRX175	SRX350
> Wire size	35mm ²	70mm ²	AWG1/0	AWG2/0
> Current rating I _N ⁽¹⁾	160 A	320 A	175 A	350 A
> Voltage rating	600 V	600 V	600 V	600 V
> Operating Temperature (incl. self-heating)	-20 °C ... +105 °C -4 °F ... +221 °F			

(1) depending on cross section and installation

MATERIAL HOUSING

	NORM	>PBT/PC-Blend<
> Halogen-free	DIN VDE 0472-815	ja
> Reaction to fire	UL 94	
> UV resistant		V-0
> Ozone resistant	EN 1175-1	ja
> Creepage current resistance	IEC 60112	225 V

MATERIAL DATA CONTACTS

- > Electrolytic high conductive copper Cu-ETP acc. EN 13601 and silver plated surface



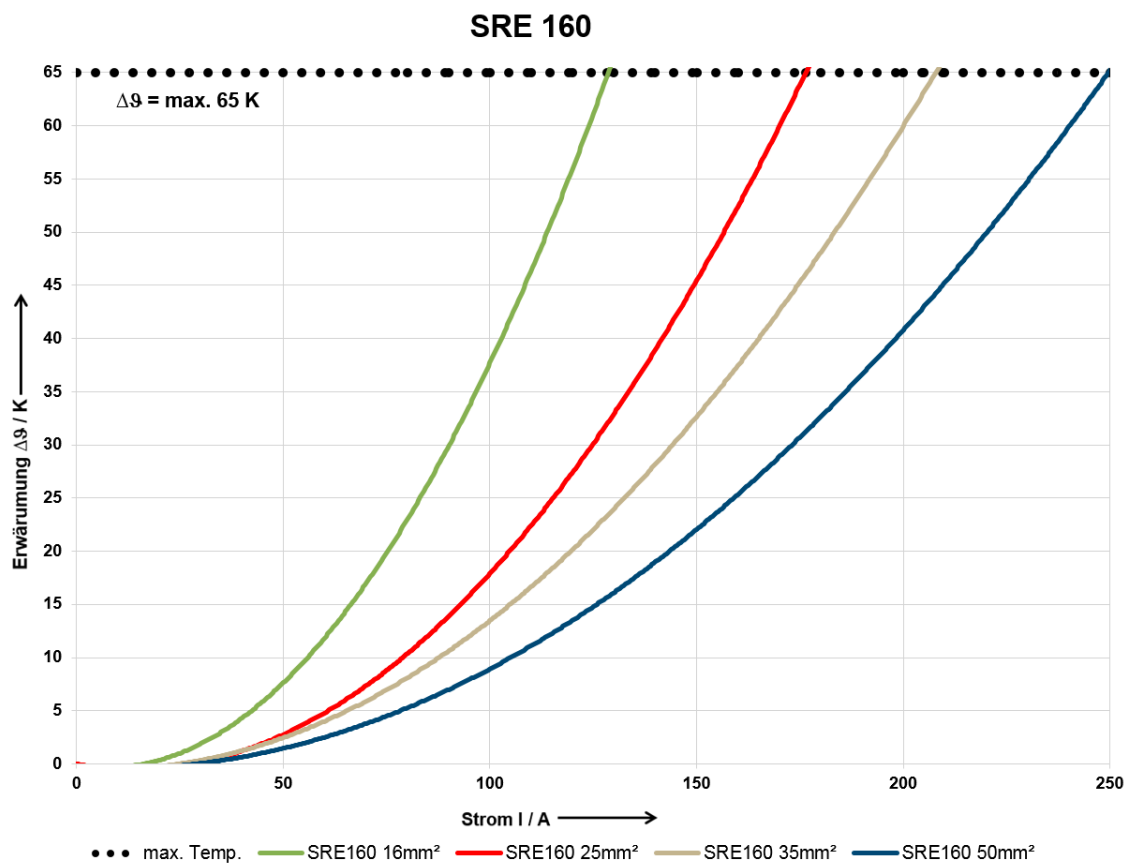
REMA

TEMPERATURE RISE CHARTS

SRE160

The REMA® SRE160 connector system is designed for optimum performance when used 35 mm² cable. The rated operating current is 160 A.

Depending on the cross section and the laying procedure, the current rating is changed.



These following temperature rise curves are for reference.
The actual thermal performance may vary depending upon environmental conditions.
Please contact Emcomp for additional information concerning the SRE160.

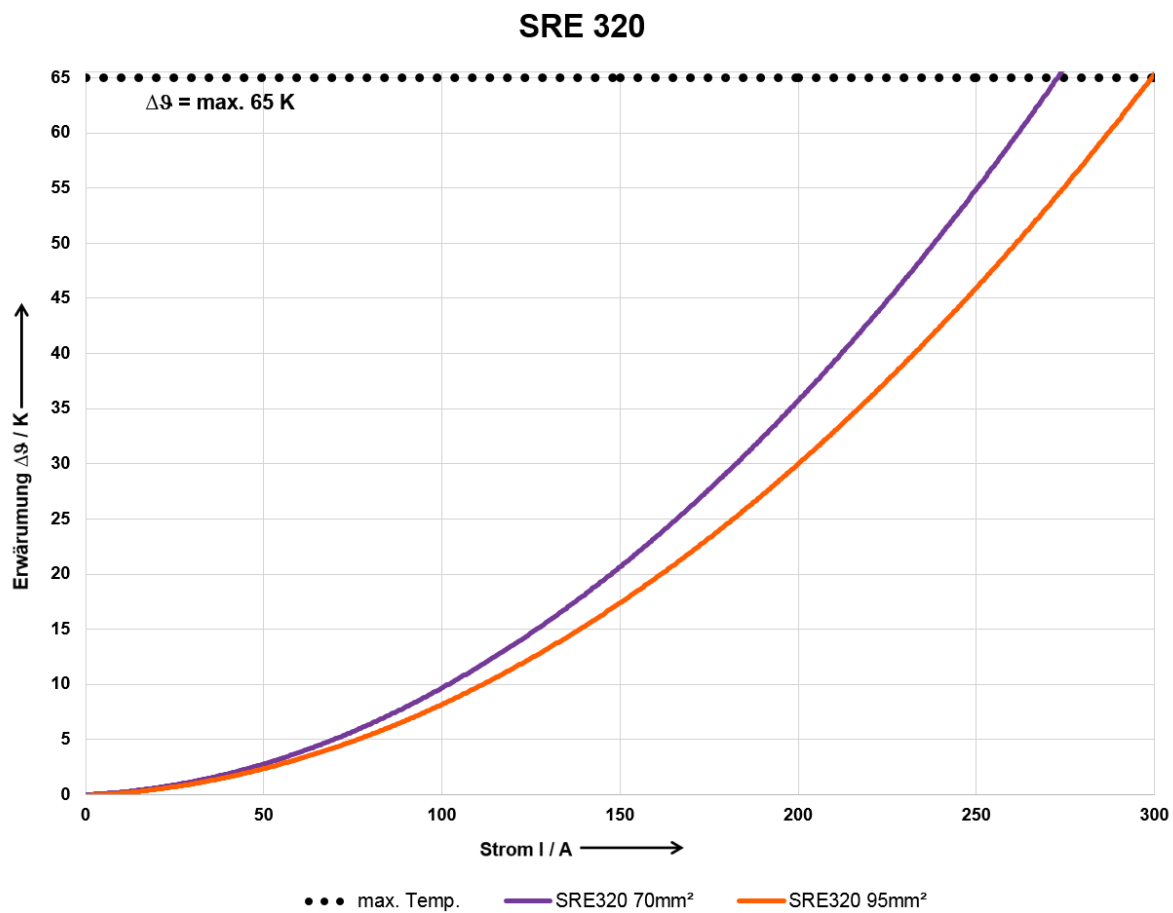


REMA

SRE320

The REMA® SRE320 connector system is designed for optimum performance when used 95mm² cable.
The rated operating current is 160 A.

Depending on the cross section and the laying procedure, the current rating is changed.



These temperature rise curves are for reference.
The actual thermal performance may vary depending upon environmental conditions.
Please contact Emcomp for additional information concerning the SRE320.

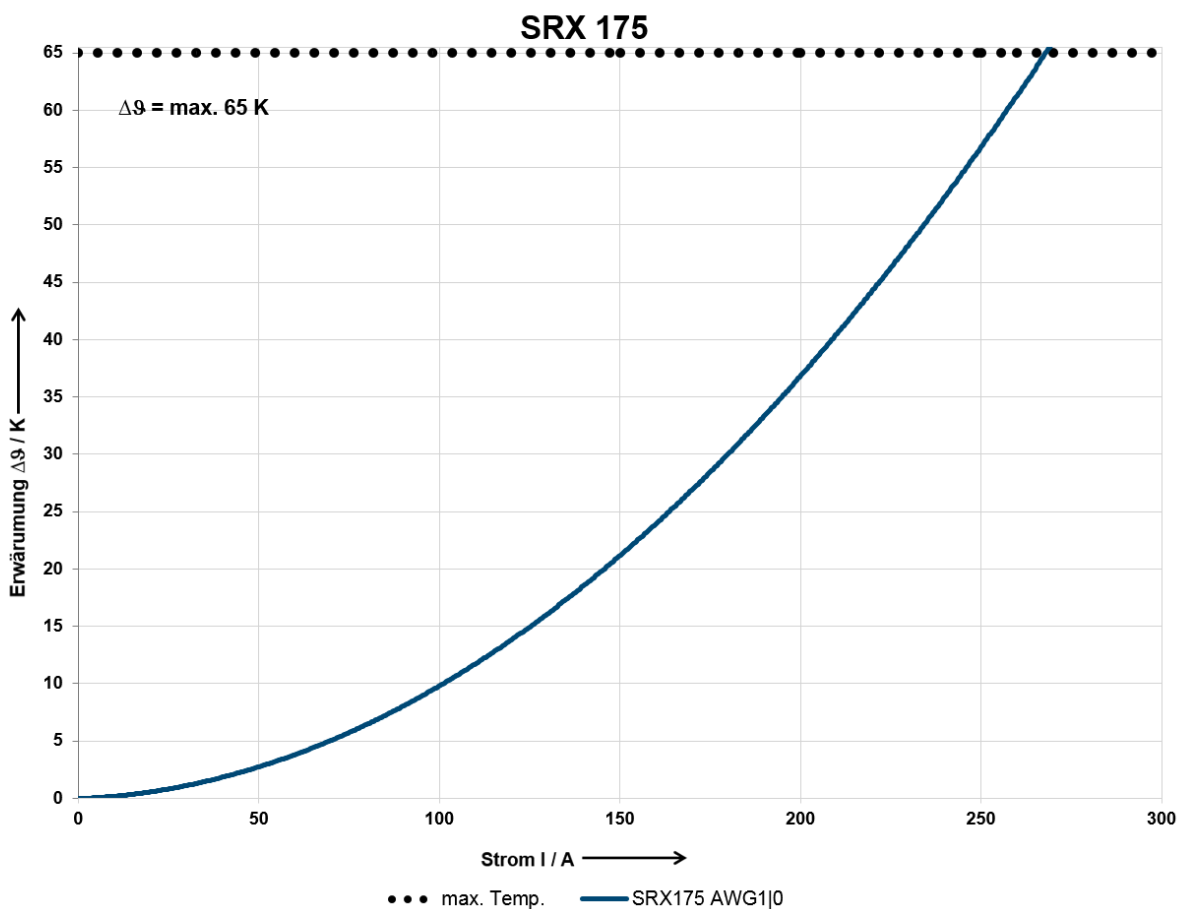


REMA

SRX175

The REMA® SRX175 connector system is designed for optimum performance when used 1/0 AWG cable. The rated operating current is 175 A.

Depending on the cross section and the laying procedure, the current rating is changed.



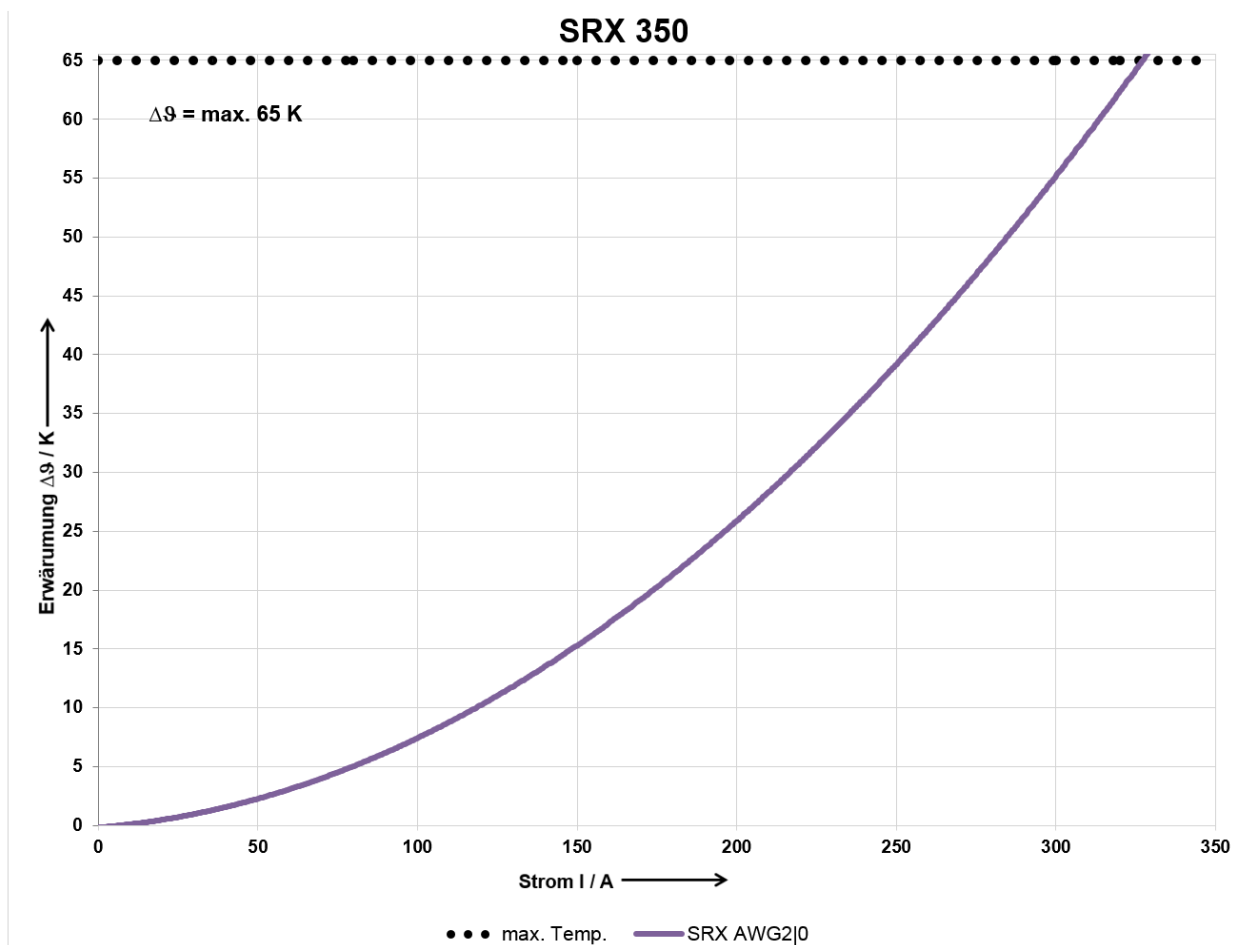
These temperature rise curves are for reference.
The actual thermal performance may vary depending upon environmental conditions.
Please contact Emcomp for additional information concerning the SRX175.



SRX350

The REMA® SRX350 connector system is designed for optimum performance when used 2/0 AWG cable.
The rated operating current is 350 A.

Depending on the cross section and the laying procedure, the current rating is changed.

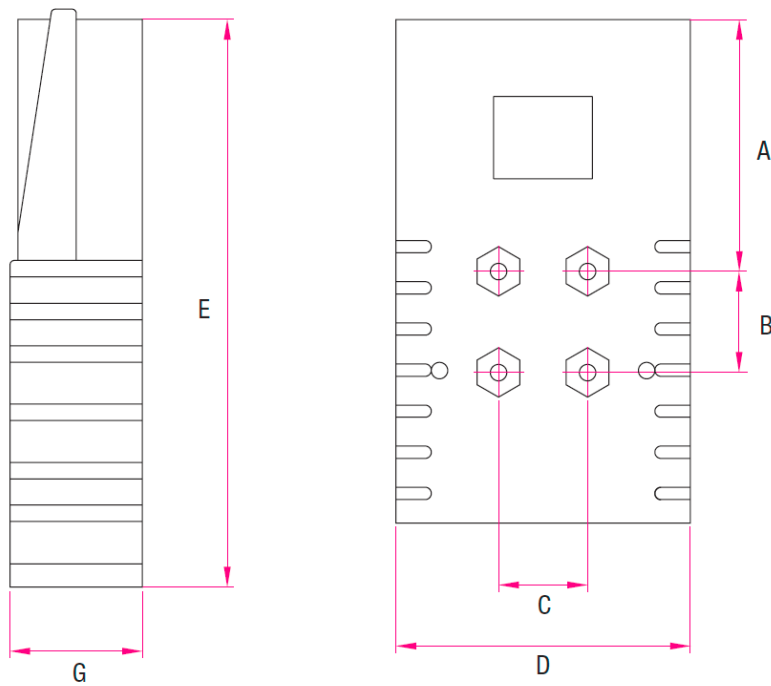


These temperature rise curves are for reference.
The actual thermal performance may vary depending upon environmental conditions.
Please contact Emcomp for additional information concerning the SRX350.



REMA

DRAWINGS



TYPE	A		B		C		D		E		G	
	[mm]	[inch]	[mm]	[inch]	[mm]	[inch]	[mm]	[inch]	[mm]	[inch]	[mm]	[inch]
>SRE160, SRX175	49,2	1,937	28,5	1,125	15,9	0,625	71,2	2,802	92,2	3,630	25,4	1,00
>SRE320, SRX350	61,9	2,437	28,5	1,125	15,9	0,625	85,7	3,374	125,4	4,937	33,3	1,312



REMA

GENERAL PROCESSING INFORMATION SRE160 · SRE320 · SRX175 · SRX350

Installation of contacts and connector by a qualified electrician in accordance with national and local electrical codes and the following instruction only. Crimp contact to the cables according to the´s assembly instructions. The following instructions serve as a reference.

➤ 1.Strip wire

- Select the correct strip length from table 1
- Do not cut into cable strands

➤ 2. Crimpverbindung an den Kabel

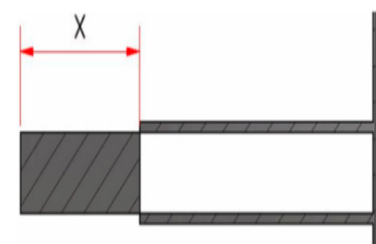
- Select contact from table 1
- Use REMA recommended tools only
- Attention: Ensure contact plane remains unchanged after crimping otherwise misalignment will occur, resulting in possible contact overheating

➤ 3. Insert the wired contact into the rear of the hosing according to picture 2

- Make sure that the smooth contour of the contact is upwards so that the contact underside moves over the housing spring (picture 2) and is retained with an audible click.
- To check engagement, pull gently on the cable to make sure contact is correctly locked over the housing spring

Table 1: Overview Table

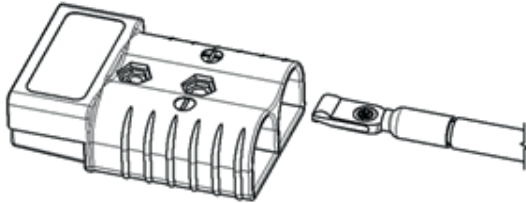
TYPE	Contact Item-No.	Wire Size AWG or mm ²	„X“ in mm acc. pic. 1	X“ in inches acc. pic. 1
>SRE160	109382	16 mm ²	20	0,78
>SRE160	109378	25 mm ²	20	0,78
>SRE160	109380	35 mm ²	20	0,78
>SRE160	109376	50 mm ²	20	0,78
>SRX175	109374	1/0 AWG	26	1,02
>SRE320	102756	35 mm ²	20	0,78
>SRE320	109199	50 mm ²	20	0,78
>SRE320	109384	70 mm ²	20	0,78
>SRE320	109389	95 mm ²	24	0,94
>SRX350	109385	2/0 AWG	31	1,22



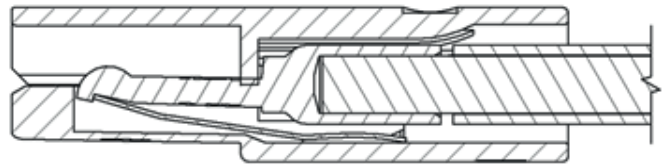
Picture1: Strip length



REMA



Picture 2: Assembly of wired contact into housing



Picture 3: Installed contact into housing

Disassembly

- > Switch off power the contact according to DIN EN 60079-14 when dis-assembling the contact
- > Remove contact by pressing the spring at the front of the connector with a small insulated screwdriver. Simultaneous while pressing the spring, pull gently on the cable to remove the contact from the housing



SAFETY NOTE

Lay the cables free of tension!
In torsional and / or tensile forces
in the cable using the cable clamp
REMA SRE / SRX is recommended.
Part No.: 109201





REMA

DIE SETS

General processing information

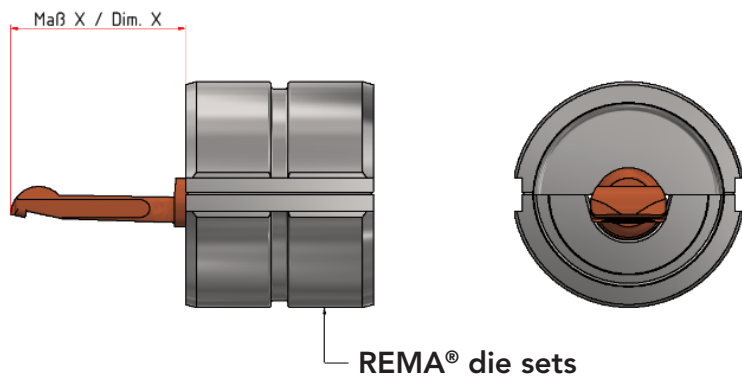
- > Please only use original REMA die sets. Only those guarantee a secure electrical connection.
- > Please actuate the REMA made - die sets always until the end.
- > Only process contacts with clean sleeves. The contaminated crimpsleeves increase the contact resistance and may lead to overheating.
- > REMA made - die sets are manufactured from hardened tooling steel and have a long life cycle. Nevertheless they must be monitored regularly if under heavy use. REMA is glad to advise you about the service life assessment of your die sets.

REMA offers an electrical and a microscopic analysis of your crimp samples upon request.

- > Please always set the die sets centred on the crimp sleeves



TYPE	CABLE CROSS SECTION	Dim. X	
		[mm]	[inch]
>SRE160	16 mm ²	ca. 20	ca. 50,8
>SRE160	25 mm ²	ca. 20	ca. 50,8
>SRE160	35 mm ²	ca. 20	ca. 50,8
>SRE160	50 mm ²	ca. 20	ca. 50,8
>SRX175	1/0 AWG	ca. 26	ca. 50,8
>SRE320	35 mm ²	ca. 20	ca. 50,8
>SRE320	50 mm ²	ca. 20	ca. 50,8
>SRE320	70 mm ²	ca. 20	ca. 50,8
>SRE320	95 mm ²	ca. 24	ca. 63,5
>SRX350	2/0 AWG	ca. 31	ca. 78,7





REMA

Extract of the available crimping range

CROSS SECTION	DIE SETTYPE	
35 mm ²	double indent	
50 mm ²	double indent	111095
70 mm ²	double indent	107201
95 mm ²	double indent	107204

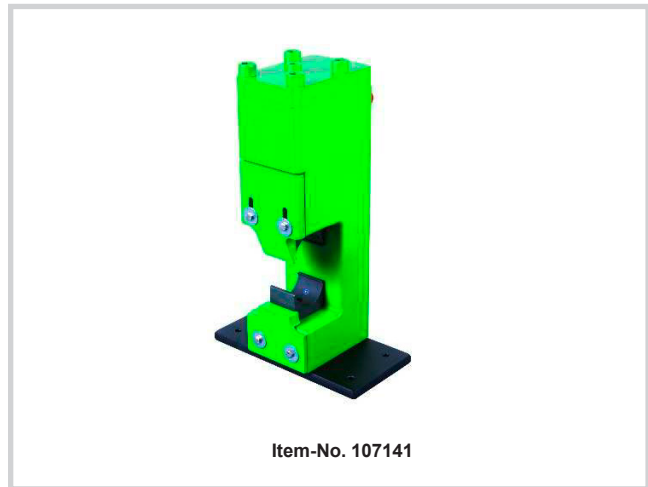


REMA

TOOLS AND ACCESSORIES

Hydraulic Table compression head TPK 130

- > Workshop capable version for frequent use
- > With hydraulic-cylinder for connection to hydraulic pumps
- > Incl. coupling male
- > For double deep die sets from 16 mm² to 120 mm²
- > For total cable diameter up to Ø 38 mm
- > Working pressure: max. 700 bar
- > Force of pressure: 130 kN



Hydraulic compression head CG 130

- > Mobile version for work on site
- > With hydraulic-cylinder for connection to hydraulic pumps
- > Incl. coupling male
- > For double deep die sets from 16 mm² to 120 mm²
- > For total cable diameter up to Ø 38 mm
- > Working pressure: max. 700 bar
- > Force of pressure: 130 kN





REMA

Hydraulic compression head H 250 incl. adapter H250/130

- > Mobile version for work on site
- > With hydraulic-cylinder for connection to hydraulic pumps
- > Incl. coupling male
- > For double deep die sets from 16 mm² to 240 mm²
- > For total cable diameter up to Ø 38 mm
- > Working pressure: max. 700 bar
- > Force of pressure: 250 kN



Electro hydraulic pump EP 2 W

- > Operating voltage 230 V AC | 50 Hz
- > Total compact self-contained model
- > Suitable for hydraulic compression heads
CG 130 and H 250 and more REMA® compressionheads
- > Working pressure: max. 700 bar
- > Mechanical and electrical pressure relief valve
- > With 1,5 m hose incl. female quick coupler





REMA

Electro hydraulic pump EP 4 WF

- > Operating voltage 230 V AC und 400 V AC (50Hz)
- > Total compact self-contained model
- > Suitable for hydraulic compression heads CG 130 and H 250 and more REMA compression heads
- > Working pressure: max. 700 bar
- > Mechanical and electrical pressure relief valve
- > Independent electrical control sequence
- > Off switch with emergency off switch as a footswitch
- > Especially for workshop operation and mass production



VOLTAGE

ITEM-NO.

230 V AC | 50 Hz

111349

400 V AC | 50 Hz

111350

Hydraulic foot-operated pump FP 3

- > Double piston pump with automatic change-over
- > With pressure relief valve
- > By interchanging preselected pressure hoses



MODEL

ITEM-NO.

With female quick coupler

111351



REMA

High pressure hose with coupler



LENGTH	COATING	CONNECTION	ITEM-NO.
2 m	steel (not isolated)	extension	107101
3 m	steel (not isolated)	extension	107102
4 m	steel (not isolated)	extension	102353
5 m	steel (not isolated)	extension	102354

More die sets, tools and further accessories for your REMA[®] flat blade contact, refer to the Emcomp product catalog "Tools and accessories".

Allow us to advise you.