

# Technical Data Sheet

## Fire Rated - F200 Enclosed Switch-Disconnectors

CDPD105  
Issue 3

### General Description

The F200 Fire Rated products range is designed for installations where the supply must be maintained for 2 hours at 200°C. Ranging from 20A to 200A, these units are supplied in IP66/65 die-cast aluminium or IP65 sheet steel enclosures. All units come standard in a Traffic Red (RAL 3020) polyester powder coat finish, with padlocking in both 'Off' and 'On' positions.

'N' = switched neutral (Early make, late break) | 'NL' = Unswitched neutral | 'EB' = Early break auxiliary contacts  
'T' = Increased terminal capacity



| Image      | Rating      | Format                      | Cat. No.               | Cable Entries                                | Encl. Size         | Encl. Material     | IP Rating            | Encl. Colour         |
|------------|-------------|-----------------------------|------------------------|--|--------------------|--------------------|----------------------|----------------------|
|            | 20A         | 6P                          | F2SDDR206              | 1xM20+1M25 Top & Btm                         | A                  | Die-Cast Aluminium | IP66                 | Traffic Red Ral 3020 |
|            |             | 6P+2EB Aux                  | F2SDDR206EB            | 1xM20 Top & Btm + 1xM205Top & Btm +1xM20 RHS |                    |                    |                      |                      |
|            | 25A         | 2P                          | F2SDDR252              | 1xM20+1M25 Top & Btm                         | A                  | Die-Cast Aluminium | IP66                 | Traffic Red Ral 3020 |
|            |             | 3P                          | F2SDDR253              |  |                    |                    |                      |                      |
|            |             | 3P+2EB Aux                  | F2SDDR253EB            |  |                    |                    |                      |                      |
|            |             | 3P+N                        | F2SDDR253N             |  |                    |                    |                      |                      |
|            |             | 3P+NL                       | F2SDDR253NL            |  |                    |                    |                      |                      |
|            | 32A         | 2P                          | F2SDDR322              | 1xM20 +1xM25 Top & Btm                       | A                  | Die-Cast Aluminium | IP66                 | Traffic Red Ral 3020 |
|            |             | 3P                          | F2SDDR323              |  |                    |                    |                      |                      |
|            |             | 3P+2EB Aux                  | F2SDDR323EB            |  |                    |                    |                      |                      |
|            |             | 3P+N                        | F2SDDR323N             |  |                    |                    |                      |                      |
|            | 40A         | 2P                          | F2SDDR402              | 1xM20 +1xM25 Top & Btm                       | A                  | Die-Cast Aluminium | IP66                 | Traffic Red Ral 3020 |
|            |             | 3P                          | F2SDDR403              |  |                    |                    |                      |                      |
|            |             | 3P+2EB Aux                  | F2SDDR403EB            |  |                    |                    |                      |                      |
|            |             | 3P+N                        | F2SDDR403N             |  |                    |                    |                      |                      |
| 3P+NL      |             | F2SDDR403NL                 |                        |  |                    |                    |                      |                      |
| 2P         |             | F2SDDR402T                  | 2xM25 Top & Btm        | B  | Die-Cast Aluminium | IP65               |                      |                      |
| 3P         |             | F2SDDR403T                  |                        |  |                    |                    |                      |                      |
| 3P+2EB Aux |             | F2SDDR403EBT                |                        |  |                    |                    |                      |                      |
| 3P+N       |             | F2SDDR403NT                 |                        |  |                    |                    |                      |                      |
| 3P+NL      |             | F2SDDR403NLT                |                        |  |                    |                    |                      |                      |
| 6P         | F2SDDR406   | 2xM25 Top & Btm + 1xM20 Btm | B                      | Die-Cast Aluminium                           | IP65               |                    |                      |                      |
| 6P+2EB Aux | F2SDDR406EB |                             |                        |  |                    |                    |                      |                      |
| 63A        | 2P          | F2SDDR632                   | 2xM32 Top & Btm        | B  | Die-Cast Aluminium | IP65               | Traffic Red Ral 3020 |                      |
|            | 3P          | F2SDDR633                   |                        |  |                    |                    |                      |                      |
|            | 3P+2EB Aux  | F2SDDR633EB                 |                        |  |                    |                    |                      |                      |
|            | 3P+N        | F2SDDR633N                  |                        |  |                    |                    |                      |                      |
| 80A        | 3P          | F2SDDR803                   | 2xM32 Top & Btm        | B  | Die-Cast Aluminium | IP65               | Traffic Red Ral 3020 |                      |
|            | 3P+N        | F2SDDR803N                  |                        |  |                    |                    |                      |                      |
|            | 3P+NL       | F2SDDR803NL                 |                        |  |                    |                    |                      |                      |
|            | 63A         | 3P+N                        | F2SDRC00633N           | Gland Plates Top & Btm                       | 1                  | Sheet Steel        | IP65                 | Traffic Red Ral 3020 |
|            |             | 3P+NL                       | F2SDRC00633NL          |  |                    |                    |                      |                      |
|            |             | 6P                          | F2SDRC00636            |  |                    |                    |                      |                      |
|            | 80A         | 3P+N                        | F2SDRC00803N           | Gland Plates Top & Btm                       | 1                  | Sheet Steel        | IP65                 | Traffic Red Ral 3020 |
|            |             | 3P+NL                       | F2SDRC00803NL          |  |                    |                    |                      |                      |
|            |             | 6P                          | F2SDRC00806            |  |                    |                    |                      |                      |
|            | 100A        | 3P+N                        | F2SDRC01003N           | Gland Plates Top & Btm                       | 2                  | Sheet Steel        | IP65                 | Traffic Red Ral 3020 |
|            |             | 3P+NL                       | F2SDRC01003NL          |  |                    |                    |                      |                      |
|            | 125A        | 3P+N                        | F2SDRC01253N           | Gland Plates Top & Btm                       | 2                  | Sheet Steel        | IP65                 | Traffic Red Ral 3020 |
|            |             | 3P+NL                       | F2SDRC01253NL          |  |                    |                    |                      |                      |
|            | 160A        | 3P+N                        | F2SDRC01603N           | Gland Plates Top & Btm                       | 2                  | Sheet Steel        | IP65                 | Traffic Red Ral 3020 |
|            |             | 3P+NL                       | F2SDRC01603NL          |  |                    |                    |                      |                      |
| 200A       | 3P+N        | F2SDRC02003N                | Gland Plates Top & Btm | 3  | Sheet Steel        | IP65               | Traffic Red Ral 3020 |                      |
|            | 3P+NL       | F2SDRC02003NL               |                        |  |                    |                    |                      |                      |

# Technical Data Sheet

## Fire Rated - F200 Enclosed Switch-Disconnectors

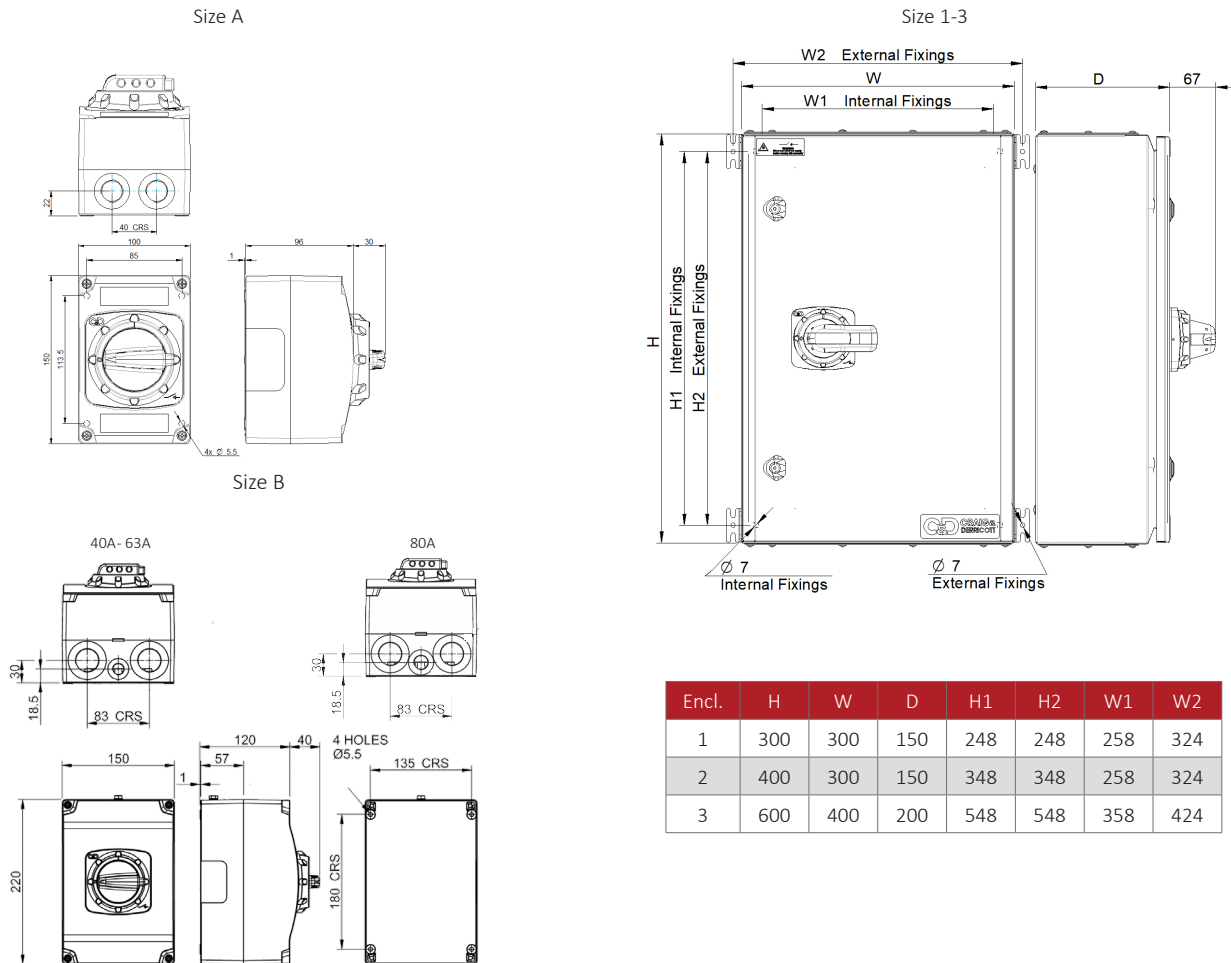
CDPD105  
Issue 3

### Technical Specification

Data supplied against tests to IEC/BS EN 60947-3

| Application   | Sym.      | Unit            | Category          | 20A     | 25A  | 32A  | 40A    |      | 63A   | 80A  | 100A | 125A  | 160A  | 200A  |       |
|---|-----------|-----------------|-------------------|---------|------|------|--------|------|-------|------|------|-------|-------|-------|-------|
| Switch product range  | -         | -               |                   | GX20    | CS25 | CS32 | GX40   | CS40 | CS40R | CS63 | CS80 | CS100 | CS125 | CS160 | CS200 |
| Rated thermal current   | $I_{the}$ | A               |                   | 20      | 25   | 32   | 40     | 40   | 40    | 63   | 80   | 100   | 125   | 160   | 200   |
| Rated insulation voltage  | $U_i$     | V               |                   | 690     | 690  | 690  | 690    | 690  | 690   | 690  | 1000 | 1000  | 1000  | 1000  |       |
| Rated impulse voltage   | $U_{imp}$ | kV              |                   | 6       | 6    | 6    | 6      | 6    | 6     | 6    | 6    | 8     | 8     | 8     | 8     |
| Rated operational power (3 phase AC)                            |           | kW              | 380 / 440- AC23   | 7.5     | 11   | 15   | 18.5   | 18.5 | 15    | 25   | 30   | 59    | 63    | 75    | 75    |
|   |           |                 | 690V- AC23        | 7.5     | 15   | 15   | 15     | 22   | 15    | 30   | 30   | 51    | 55    | 55    | 55    |
| Rated short time withstand current (1 sec)                      | $I_{cw}$  | A               |                   | 250     | 500  | 600  | 800    | 1100 | 600   | 1300 | 1400 | 2600  | 2800  | 3000  | 3000  |
| Max. fuse size for short circuit protection (gG Characteristic) |           | kA              | 10kA              | 20      | 35   | 35   | 40     | 80   | 40    | 80   | 80   | 160   | 160   | 160   | 200   |
|   |           |                 | 25kA              | 16      | 32   | 35   | 35     | 80   | 32    | 63   | 63   | 160   | 160   | 160   | 160   |
|   |           |                 | 50kA              | -       | 32   | 32   | -      | 80   | 32    | 63   | 63   | 160   | 160   | 160   | 160   |
| Recommended connecting capacity                                 |           | -               | Terminal type     |         |      |      |        |      |       |      |      |       |       |       |       |
|   |           | mm <sup>2</sup> | Flexible cable    | 2.5 x 2 | 6    | 6    | 6 x 2  | 16   | 6     | 16   | 16   | 25    | 50    | 50    | 70    |
|   |           | mm <sup>2</sup> | Rigid cable       | 2.5 x 2 | 10   | 10   | 10 x 2 | 25   | 10    | 25   | 25   | 50    | 70    | 70    | 95    |
|   |           | Nm              | Tightening torque | 1.0     | 1.2  | 1.2  | 1.0    | 1.2  | 1.2   | 1.2  | 1.2  | 1.2   | 5     | 5     | 5     |

### Dimensions



# Technical Data Sheet

## Fire Rated - F300 Enclosed Switch-Disconnectors

CDPD106  
Issue 4



### F300 Fire Rated Switchgear

The F300 Fire Rated products range from 20A to 800A, supplied in IP65 die-cast aluminium or sheet steel enclosures with a Traffic Red (RAL 3020) powder coat finish. All enclosures come standard with padlocking in both 'Off' and 'On'.

The interior switches are constructed from a high temperature grade thermoset material, designed specifically for installations where the supply must be maintained for 60 mins at 300°C. Craig & Derricott's F300 products will withstand 300°C for 120 min.

'N' = switched neutral (Early make, late break) | 'NL' = Unswitched neutral | 'EB' = Early break auxiliary contacts






| Image  | Rating      | Format      | Switch Mount | Cat. No.    | Encl. Size  | Encl. Material     | IP Rating          | Encl. Colour            |                         |           |   |             |      |                         |
|--|-------------|-------------|--------------|-------------|-------------|--------------------|--------------------|-------------------------|-------------------------|-----------|---|-------------|------|-------------------------|
|   | 20A         | 2P          | Lid mounted  | F3SDR0202   | A           | Sheet Steel        | IP65               | Traffic Red<br>Ral 3020 |                         |           |   |             |      |                         |
|  |             | 3P          |              | F3SDR0203   |             |                    |                    |                         |                         |           |   |             |      |                         |
|  |             | 3P+2E/B Aux |              | F3SDR0203EB |             |                    |                    |                         |                         |           |   |             |      |                         |
|  |             | 3P+NL       |              | F3SDR0203NL |             |                    |                    |                         |                         |           |   |             |      |                         |
|  |             | 4P          |              | F3SDR0204   |             |                    |                    |                         |                         |           |   |             |      |                         |
|  |             | 6P          |              | F3SDR0206   |             |                    |                    |                         |                         |           |   |             |      |                         |
|  | 25A         | 6P+2E/B Aux | F3SDR0206EB  |             |             |                    |                    |                         |                         |           |   |             |      |                         |
|  |             | 2P          | Lid mounted  | F3SDR0252   | A           | Sheet Steel        | IP65               | Traffic Red<br>Ral 3020 |                         |           |   |             |      |                         |
|  |             | 3P          |              | F3SDR0253   |             |                    |                    |                         |                         |           |   |             |      |                         |
| 4P   | F3SDR0254   |             |              |             |             |                    |                    |                         |                         |           |   |             |      |                         |
|  | 20A         | 2P          | Lid mounted  | F3DDR0202   | E           | Die-Cast Aluminium | IP65               | Traffic Red<br>Ral 3020 |                         |           |   |             |      |                         |
|  |             | 3P          |              | F3DDR0203   |             |                    |                    |                         |                         |           |   |             |      |                         |
|  |             | 3P+2E/B Aux |              | F3DDR0203EB |             |                    |                    |                         |                         |           |   |             |      |                         |
|  |             | 3P+NL       |              | F3DDR0203NL |             |                    |                    |                         |                         |           |   |             |      |                         |
|  |             | 4P          |              | F3DDR0204   |             |                    |                    |                         |                         |           |   |             |      |                         |
|  |             | 6P          |              | F3DDR0206   |             |                    |                    |                         |                         |           |   |             |      |                         |
|  | 32A         | 6P+2E/B Aux | F3DDR0206EB  |             |             |                    |                    |                         |                         |           |   |             |      |                         |
|  |             | 40A         | 2P           | Lid mounted | F3DDR0322   | B                  | Die-Cast Aluminium | IP65                    | Traffic Red<br>Ral 3020 |           |   |             |      |                         |
|  |             |             | 3P           |             | F3DDR0323   |                    |                    |                         |                         |           |   |             |      |                         |
|  |             |             | 3P+2E/B Aux  |             | F3DDR0323EB |                    |                    |                         |                         |           |   |             |      |                         |
|  |             |             | 3P+NL        |             | F3DDR0323NL |                    |                    |                         |                         |           |   |             |      |                         |
|  |             |             | 4P           |             | F3DDR0324   |                    |                    |                         |                         |           |   |             |      |                         |
| 6P   | F3DDR0326   |             |              |             |             |                    |                    |                         |                         |           |   |             |      |                         |
| 40A  | 6P+2E/B Aux | F3DDR0326EB |              |             |             |                    |                    |                         |                         |           |   |             |      |                         |
|  | 63A         | 2P          | Base mounted | F3SDR0402   | B           | Die-Cast Aluminium | IP65               | Traffic Red<br>Ral 3020 |                         |           |   |             |      |                         |
|  |             | 3P          |              | F3SDR0403   |             |                    |                    |                         |                         |           |   |             |      |                         |
|  |             | 4P          |              | F3SDR0404   |             |                    |                    |                         |                         |           |   |             |      |                         |
|  |             | 63A         |              | 2P          |             |                    |                    |                         | Base mounted            | F3SDR0632 | C | Sheet Steel | IP65 | Traffic Red<br>Ral 3020 |
|  |             |             |              | 3P          |             |                    |                    |                         |                         | F3SDR0633 |   |             |      |                         |
| 3P+2E/B Aux  |             |             |              | F3SDR0633EB |             |                    |                    |                         |                         |           |   |             |      |                         |
| 3P+NL  | F3SDR0633NL |             |              |             |             |                    |                    |                         |                         |           |   |             |      |                         |
| 63A  | 4P          | F3SDR0634   |              |             |             |                    |                    |                         |                         |           |   |             |      |                         |
|  | 6P          | F3SDR0636   |              |             |             |                    |                    |                         |                         |           |   |             |      |                         |
|  | 6P+2E/B Aux | F3SDR0636EB |              |             |             |                    |                    |                         |                         |           |   |             |      |                         |

# Technical Data Sheet

## Fire Rated - F300 Enclosed Switch-Disconnectors

CDPD106  
Issue 4

| Image   | Rating       | Format       | Switch Mount | Cat. No.     | Encl. Size  | Encl. Material | IP Rating               | Encl. Colour            |
|---|--------------|--------------|--------------|--------------|-------------|----------------|-------------------------|-------------------------|
|    | 80A          | 2P           | Base mounted | F3SDR0802    | 3A          | Sheet Steel    | IP65                    | Traffic Red<br>Ral 3020 |
|   |              | 3P           |              | F3SDR0803    |             |                |                         |                         |
|   |              | 3P+NL        |              | F3SDR0803NL  |             |                |                         |                         |
|   |              | 4P           |              | F3SDR0804    | D           |                |                         |                         |
|   |              | 3P+2E/B Aux  |              | F3SDR0803EB  |             |                |                         |                         |
|   |              | 6P           |              | F3SDR0806    |             |                |                         |                         |
|   |              | 6P+2E/B Aux  |              | F3SDR0806EB  |             |                |                         |                         |
|   | 125A         | 2P           | Base mounted | F3SDR01252   | D           | Sheet Steel    | IP65                    | Traffic Red<br>Ral 3020 |
|   |              | 3P           |              | F3SDR01253   |             |                |                         |                         |
|   |              | 3P+NL        |              | F3SDR01253NL |             |                |                         |                         |
|   |              | 3P+2E/B Aux  |              | F3SDR01253EB |             |                |                         |                         |
|   |              | 4P           |              | F3SDR01254   |             |                |                         |                         |
|   |              | 6P           |              | F3SDR01256   |             |                |                         |                         |
| 6P+2E/B Aux   | F3SDR01256EB |              |              |              |             |                |                         |                         |
|   | 160A         | 3P           | Base mounted | F3SDR01603   | 5           | Sheet Steel    | IP65                    | Traffic Red<br>Ral 3020 |
|   |              | 3P+NL        |              | F3SDR01603NL |             |                |                         |                         |
|   |              | 4P           |              | F3SDR01604   | 7           |                |                         |                         |
|   |              | 6P           |              | F3SDR01606   |             |                |                         |                         |
|   | 200A         | 3P           | Base mounted | F3SDR02003   | 5           | Sheet Steel    | IP65                    | Traffic Red<br>Ral 3020 |
|   |              | 3P+NL        |              | F3SDR02003NL |             |                |                         |                         |
|   |              | 4P           |              | F3SDR02004   | 7           |                |                         |                         |
|   |              | 6P           |              | F3SDR02006   |             |                |                         |                         |
|   | 250A         | 3P           | Base mounted | F3SDR02503   | 5           | Sheet Steel    | IP65                    | Traffic Red<br>Ral 3020 |
|   |              | 3P+NL        |              | F3SDR02503NL |             |                |                         |                         |
|   |              | 4P           |              | F3SDR02504   | 7           |                |                         |                         |
|   |              | 6P           |              | F3SDR02506   |             |                |                         |                         |
|  | 315A         | 3P           | Base mounted | F3SDR03153   | 6           | Sheet Steel    | IP65                    | Traffic Red<br>Ral 3020 |
|   |              | 3P+NL        |              | F3SDR03153NL |             |                |                         |                         |
|   |              | 4P           |              | F3SDR03154   | 9           |                |                         |                         |
|   |              | 6P           |              | F3SDR03156   |             |                |                         |                         |
|   | 400A         | 3P           | Base mounted | F3SDR04003   | 6           | Sheet Steel    | IP65                    | Traffic Red<br>Ral 3020 |
|   |              | 3P+NL        |              | F3SDR04003NL |             |                |                         |                         |
|   |              | 4P           |              | F3SDR04004   | 9           |                |                         |                         |
|   |              | 6P           |              | F3SDR04006   |             |                |                         |                         |
| 630A  | 3P           | Base mounted | F3SDR06303   | 8            | Sheet Steel | IP65           | Traffic Red<br>Ral 3020 |                         |
|   | 3P+NL        |              | F3SDR06303NL |              |             |                |                         |                         |
|   | 4P           |              | F3SDR06304   | 9            |             |                |                         |                         |
|   | 6P           |              | F3SDR06306   |              |             |                |                         |                         |
| 800A  | 3P           | Base mounted | F3SDR08003   | 8            | Sheet Steel | IP65           | Traffic Red<br>Ral 3020 |                         |
|   | 3P+NL        |              | F3SDR08003NL |              |             |                |                         |                         |
|   | 4P           |              | F3SDR08004   | 9            |             |                |                         |                         |
|   | 6P           |              | F3SDR08006   |              |             |                |                         |                         |

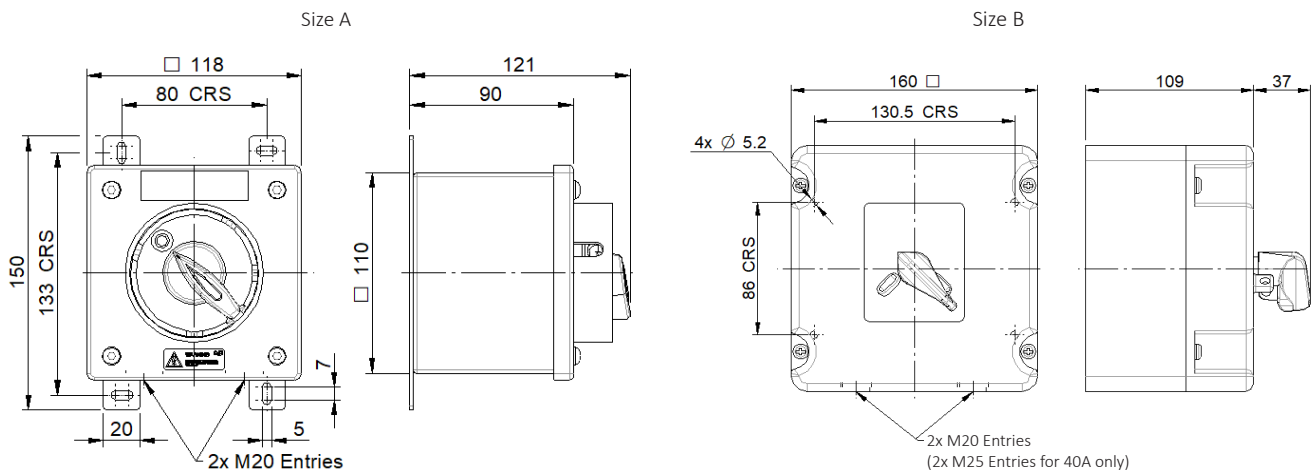
# Technical Data Sheet

## Fire Rated - F300 Enclosed Switch-Disconnectors

CDPD106  
Issue 4

| F300 Switch-Disconnectors (O-I)      |             |                 |                   |        |        |        |       |          |         |         |         |          |          |          |          |          |          |          |   |
|--------------------------------------|-------------|-----------------|-------------------|--------|--------|--------|-------|----------|---------|---------|---------|----------|----------|----------|----------|----------|----------|----------|---|
| Application                          | Sym.        | Unit            | Category          | 20A    | 25A    | 32A    | 40A   | 63A      | 80A     | 125A    | 160A    | 200A     | 250A     | 315A     | 400A     | 630A     | 800A     |          |   |
| Rated thermal current                | $I_{the}$   | A               |                   | 20     | 25     | 32     | 40    | 63       | 80      | 125     | 160     | 200      | 250      | 315      | 400      | 630      | 720      |          |   |
| Rated insulation voltage             | $U_i$       | V               |                   | 690    | 690    | 690    | 690   | 690      | 690     | 690     | 1000    | 1000     | 1000     | 1000     | 1000     | 1000     | 1000     |          |   |
| Rated impulse voltage                | $U_{imp}$   | kV              |                   | 6.0    | 6.0    | 6.0    | 6.0   | 6.0      | 6.0     | 6.0     | 12.0    | 12.0     | 12.0     | 12.0     | 12.0     | 12.0     | 12.0     |          |   |
| Rated operational power (3 phase AC) | $I_e / P_e$ | A/kW            | 415V- AC23A       | 20/9.5 | 25/11  | 32/15  | 32/15 | 40 /18.5 | 80/40   | 100 /55 | 160 /90 | 200 /110 | 250 /132 | 315 /200 | 400 /200 | 630 /315 | 720 /355 |          |   |
|                                      |             |                 | 690V- AC23A       | -      | -      | -      | -     | -        | -       | -       | -       | 160 /150 | 200 /190 | 250 /200 | 315 /315 | 350 /315 | 350 /355 | 350 /355 |   |
|                                      |             |                 | 690V- AC23B       | 20/9.5 | 20/9.5 | 20/9.5 | -     | 20/9.5   | -       | -       | -       | -        | -        | -        | -        | -        | -        | -        | - |
|                                      |             |                 | 660V- AC23B       | -      | -      | -      | -     | -        | 30/22   | 30/22   | -       | -        | -        | -        | -        | -        | -        | -        | - |
| Conditional Short Circuit Current    | Fuse gG     | kA / Fuse (A)   | 415V              | 50/32  | 50/32  | 50/32  | 50/32 | 50/63    | 50 /150 | 50 /200 | 50 /160 | 50 /200  | 50 /250  | -        | -        | -        | -        |          |   |
|                                      |             |                 | 690V              | 40/32  | 40/32  | 40/32  | 40/32 | 40/63    | 50/63   | 50/63   | 50 /160 | 50 /200  | 50 /250  | 50 /315  | 50 /400  | 100 /630 | -        | -        |   |
| Short circuit withstand (1 sec)      | $I_{cw}$    | kA              | RMS value         | -      | -      | -      | -     | -        | 1.5     | 1.5     | 8.0     | 8.0      | 8.0      | 17.0     | 17.0     | 17.0     | 17.0     |          |   |
| Recommended connecting capacity      |             | -               | Terminal type     |        |        |        |       |          |         |         |         |          |          |          |          |          |          |          |   |
|                                      |             | mm <sup>2</sup> | Flexible cable    | ≤ 4.0  | ≤ 4.0  | 6      | 6     | 16       | 50      | 50      | 95      | 95       | 120      | 2/150    | 2/150    | 2/185    | 2/240    |          |   |
|                                      |             | mm <sup>2</sup> | Rigid cable       | ≤ 4.0  | ≤ 4.0  | 10     | 10    | 25       | 35      | 50      | 95      | 95       | 120      | 2/150    | 2/150    | 2/185    | 2/240    |          |   |
|                                      |             | Nm              | Tightening torque | 1.2    | 1.2    | 1.2    | 1.2   | 3        | 12      | 12      | 35      | 35       | 35       | 35       | 35       | 50       | 50       |          |   |

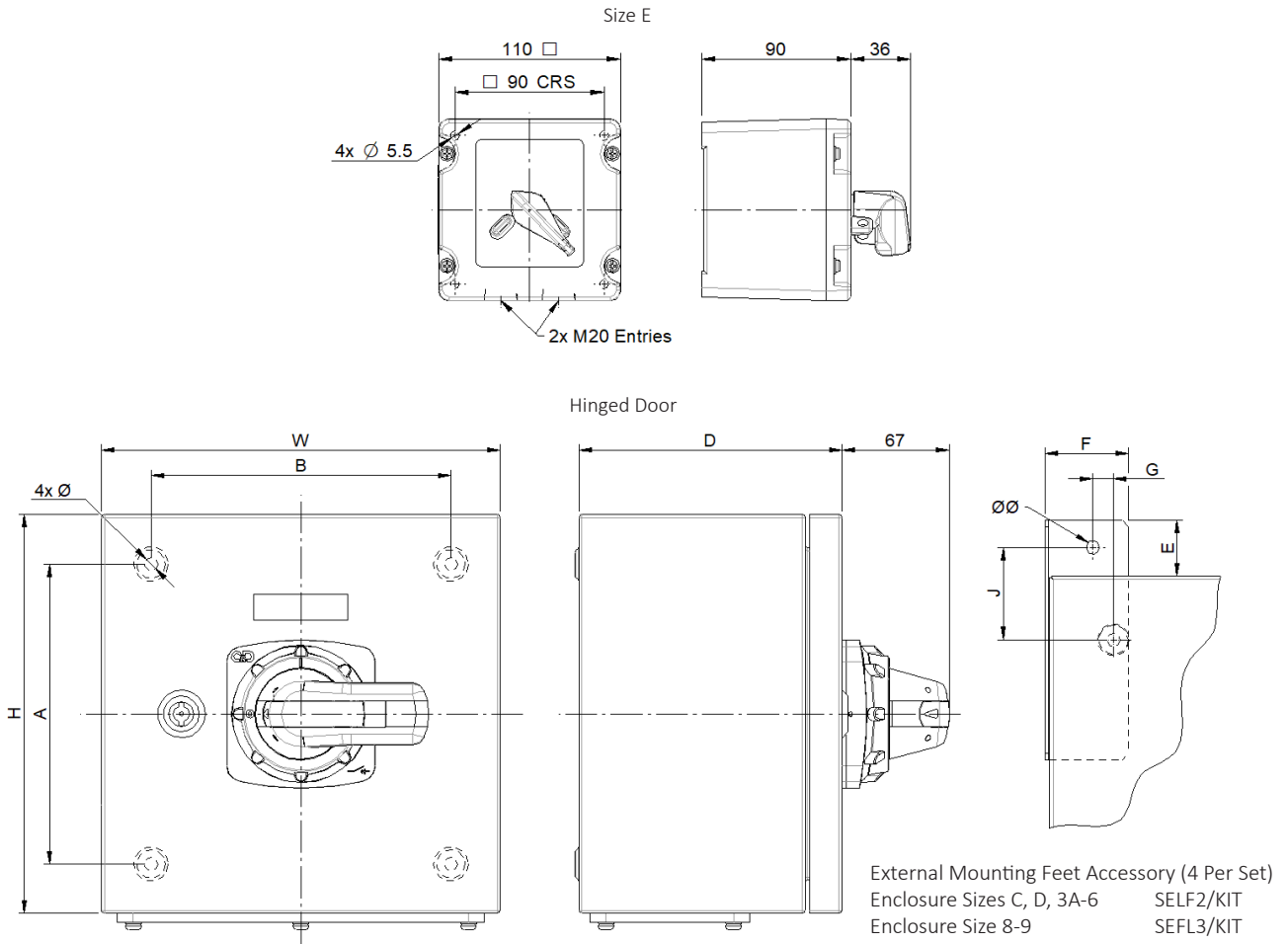
### Dimensions



# Technical Data Sheet

## Fire Rated - F300 Enclosed Switch-Disconnectors

CDPD106  
Issue 4



| Dimensions                | Enclosure Size |     |     |     |     |     |      |      |  |
|---------------------------|----------------|-----|-----|-----|-----|-----|------|------|--|
|                           | C              | 3A  | D   | 5   | 6   | 7   | 8    | 9    |  |
| Height (H)                | 250            | 350 | 480 | 550 | 750 | 750 | 900  | 900  |  |
| Width (W)                 | 250            | 300 | 240 | 450 | 450 | 600 | 600  | 600  |  |
| Depth (D)                 | 165            | 175 | 238 | 250 | 275 | 300 | 300  | 400  |  |
| Vertical Fixing CRS (A)   | 188            | 270 | 400 | 470 | 670 | 670 | 820  | 820  |  |
| Horizontal Fixing CRS (B) | 188            | 220 | 160 | 370 | 370 | 520 | 520  | 520  |  |
| Fixing Hole Size (Ø)      | 8.5            | 8.5 | 8.5 | 8.5 | 8.5 | 8.5 | 10.5 | 10.5 |  |
| Foot Projection (E)       | 35             | 35  | 35  | 35  | 35  | 35  | 35   | 35   |  |
| Foot Width (F)            | 58             | 58  | 58  | 58  | 58  | 58  | 58   | 58   |  |
| Hole Centres (G)          | 13             | 13  | 13  | 13  | 13  | 13  | 13   | 13   |  |
| Hole Centres (J)          | 58             | 58  | 58  | 58  | 58  | 58  | 58   | 58   |  |
| Fixing Hole Size (ØØ)     | 8.5            | 8.5 | 8.5 | 8.5 | 8.5 | 8.5 | 10.5 | 10.5 |  |

# Technical Data Sheet

## Fire Rated - F400 Enclosed Switch-Disconnectors

CDPD160  
Issue 10

### General Description

The 20A to 1250A F400 Fire Rated product range is supplied in either an IP65 die-cast aluminium enclosure or a hinged door sheet steel enclosure, coated in a protective Traffic Red (RAL3020) powder coat finish. The die-cast aluminium products, 20A-63A, are fitted with a black powder coated die-cast aluminium handle while the sheet steel enclosed products, 63A and above, are fitted with a highly durable aluminium operating handle. All units from this range feature the ability to be padlocked in both the OFF and ON positions as standard.

The interior switches are constructed from a high temperature grade thermoset material, designed specifically for installations where the supply must be maintained for 2 hours at 400°C. Units rated 32A and above are suitable for enhanced fire rated cables.

Stainless steel 316L enclosures are available on request for the hinged door sheet steel product range. Replace 'R' with 'S' in the catalogue number, e.g. F400SDS0633N.

Factory fitted auxiliaries on the 20A-63A die-cast range, and 63A-125A hinged door sheet steel range are fully rated and fire rated to F400. Non-fire rated auxiliaries are available for the 160A-1250A hinged door sheet steel products on request, add 'AUX' to the catalogue number, e.g. F400SDR01604/AUX

'N' = switched neutral (Early make, late break) | 'NL' = Unswitched neutral | 'EB' = Early break auxiliary contacts

When using enhanced fire resistant power cables, please check gland sizes to suit the required product.





| Image   | Rating | Format         | Cat. No.                                     | Cable Entries                    | Encl. Size              | Encl. Material     | IP Rating | Encl. Colour         | Cert. No. |
|---|--------|----------------|--|----------------------------------|-------------------------|--------------------|-----------|----------------------|-----------|
|   | 20A    | 2P             | F400DDR00202                                 | 1xM20 Top & Btm +1xM25 Top & Btm | FA<br>150 x 100 x 122.5 | Die-Cast Aluminium | IP65      | Traffic Red RAL 3020 | C9874/20  |
|   |        | 3P             | F400DDR00203                                 |                                  |                         |                    |           |                      |           |
|   |        | 3P+NL          | F400DDR00203NL                               |                                  |                         |                    |           |                      |           |
|   |        | 4P             | F400DDR00204                                 |                                  |                         |                    |           |                      |           |
|   |        | 3P+2EB         | F400DDR00203EB                               |                                  |                         |                    |           |                      |           |
|   |        | 4P+2EB         | F400DDR00204EB                               |                                  |                         |                    |           |                      |           |
|   |        | 6P             | F400DDR00206                                 |                                  |                         |                    |           |                      |           |
|   |        | 8P             | F400DDR00208                                 |                                  |                         |                    |           |                      |           |
|   | 6P+2EB | F400DDR00206EB | 1xM20 Top & Btm +1xM25 Top & Btm + 1xM20 Rhs |                                  |                         |                    |           |                      |           |
|  | 25A    | 2P             | F400DDR00252                                 | 1xM20 Top & Btm +1xM25 Top & Btm | FA<br>150 x 100 x 122.5 | Die-Cast Aluminium | IP65      | Traffic Red RAL 3020 | C9874/20  |
|   |        | 3P             | F400DDR00253                                 |                                  |                         |                    |           |                      |           |
|   |        | 3P+NL          | F400DDR00253NL                               |                                  |                         |                    |           |                      |           |
|   |        | 4P             | F400DDR00254                                 |                                  |                         |                    |           |                      |           |
|   |        | 3P+2EB         | F400DDR00253EB                               |                                  |                         |                    |           |                      |           |
|   |        | 4P+2EB         | F400DDR00254EB                               |                                  |                         |                    |           |                      |           |
|   |        | 6P             | F400DDR00256                                 |                                  |                         |                    |           |                      |           |
|   |        | 8P             | F400DDR00258                                 |                                  |                         |                    |           |                      |           |
|   | 6P+2EB | F400DDR00256EB | 1xM20 Top & Btm +1xM25 Top & Btm + 1xM20 Rhs |                                  |                         |                    |           |                      |           |
|  | 32A    | 2P             | F400DDR00322                                 | 1xM20 Top & Btm +1xM25 Top & Btm | FA<br>150 x 100 x 122.5 | Die-Cast Aluminium | IP65      | Traffic Red RAL 3020 | C9874/20  |
|   |        | 3P             | F400DDR00323                                 |                                  |                         |                    |           |                      |           |
|   |        | 3P+NL          | F400DDR00323NL                               |                                  |                         |                    |           |                      |           |
|   |        | 4P             | F400DDR00324                                 |                                  |                         |                    |           |                      |           |
|   |        | 3P+2EB         | F400DDR00323EB                               |                                  |                         |                    |           |                      |           |
|   |        | 4P+2EB         | F400DDR00324EB                               |                                  |                         |                    |           |                      |           |
|   |        | 6P             | F400DDR00326                                 |                                  |                         |                    |           |                      |           |
|   |        | 8P             | F400DDR00328                                 |                                  |                         |                    |           |                      |           |
|   | 6P+2EB | F400DDR00326EB | 1xM20 Top & Btm + 1xM25 Top & Btm +1xM20 Rhs |                                  |                         |                    |           |                      |           |

# Technical Data Sheet

## Fire Rated - F400 Enclosed Switch-Disconnectors

CDPD160  
Issue 10

| Image   | Rating | Format | Cat. No.        | Cable Entries                               | Encl. Size              | Encl. To           | IP Rating | Encl. Colour            | Cert. No.  |
|---|--------|--------|-----------------|---|-------------------------|--------------------|-----------|-------------------------|------------|
|    | 40A    | 2P     | F400DDR00402    | 1xM20 Top & Btm + 1xM25 Top & Btm           | FA<br>150 x 100 x 122.5 | Die-cast Aluminium | IP65      | Traffic Red<br>RAL 3020 | C9874/20   |
|   |        | 3P     | F400DDR00403    |   |                         |                    |           |                         |            |
|   |        | 3P+NL  | F400DDR00403NL  |   |                         |                    |           |                         |            |
|   |        | 4P     | F400DDR00404    |   |                         |                    |           |                         |            |
|   |        | 3P+2EB | F400DDR00403EB  |   |                         |                    |           |                         |            |
|   |        | 4P+2EB | F400DDR00404EB  |   |                         |                    |           |                         |            |
|   |        | 6P     | F400DDR00406    |   |                         |                    |           |                         |            |
|   |        | 8P     | F400DDR00408    |   |                         |                    |           |                         |            |
|   |        | 6P+2EB | F400DDR00406EB  | 1xM20 Top & Btm + 1xM25 Top & Btm 1xM20 Rhs |                         |                    |           |                         |            |
|    | 40A    | 2P     | F400DDR0040T2   | 2xM25 Top & Btm                             | FB<br>220 x 150 x 134   | Die-Cast Aluminium | IP65      | Traffic Red<br>RAL 3020 | C9874/20-2 |
|   |        | 3P     | F400DDR0040T3   |   |                         |                    |           |                         |            |
|   |        | 3P+2EB | F400DDR0040T3EB |   |                         |                    |           |                         |            |
|   |        | 3P+NL  | F400DDR0040T3NL |   |                         |                    |           |                         |            |
|   |        | 4P     | F400DDR0040T4   |   |                         |                    |           |                         |            |
|   |        | 4P+2EB | F400DDR0040T4EB |   |                         |                    |           |                         |            |
|   |        | 6P     | F400DDR0040T6   |   |                         |                    |           |                         |            |
|   |        | 8P     | F400DDR0040T8   |   |                         |                    |           |                         |            |
|   |        | 6P+2EB | F400DDR0040T6EB | 2xM25 Top & Btm + 1xM20 Btm                 |                         |                    |           |                         |            |
|  | 63A    | 2P     | F400DDR00632    | 2xM32 Top & Btm                             | FB<br>220 x 150 x 134   | Die-Cast Aluminium | IP65      | Traffic Red<br>RAL 3020 | C9874/20-2 |
|   |        | 3P     | F400DDR00633    |   |                         |                    |           |                         |            |
|   |        | 3P+2EB | F400DDR00633EB  |   |                         |                    |           |                         |            |
|   |        | 3P+NL  | F400DDR00633NL  |   |                         |                    |           |                         |            |
|   |        | 4P     | F400DDR00634    |   |                         |                    |           |                         |            |
|   |        | 4P+2EB | F400DDR00634EB  |   |                         |                    |           |                         |            |
|   |        | 6P     | F400DDR00636    |   |                         |                    |           |                         |            |
|   |        | 8P     | F400DDR00638    |   |                         |                    |           |                         |            |

20A to 40A Die cast FA unit with lid removed. Illustrating Base mounted switch disconnector for easy cabling.





# Technical Data Sheet

## Fire Rated - F400 Enclosed Switch-Disconnectors

CDPD160  
Issue 10

| Image   | Rating  | Format       | Cat. No.               | Cable Entries                    | Encl. Size                       | Encl. Material        | IP Rating   | Encl. Colour         | Cert. No.            |             |
|---|---|--------------|------------------------|----------------------------------|----------------------------------|-----------------------|-------------|----------------------|----------------------|-------------|
|    | 63A   | 2P           | F400SDR00632           | Removable Gland Plates Top & Btm | F1<br>300 x 300 x 150            | Sheet Steel           | IP65        | Traffic Red RAL 3020 | C9874/20-3           |             |
|   |   | 3P           | F400SDR00633           |                                  |                                  |                       |             |                      |                      |             |
|   |   | 3P+2EB       | F400SDR00633EB         |                                  |                                  |                       |             |                      |                      |             |
|   |   | 3P+NL        | F400SDR00633NL         |                                  |                                  |                       |             |                      |                      |             |
|   |   | 4P           | F400SDR00634           |                                  |                                  |                       |             |                      |                      |             |
|   |   | 4P+2EB       | F400SDR00634EB         |                                  |                                  |                       |             |                      |                      |             |
|   |   | 6P           | F400SDR00636           |                                  |                                  |                       |             |                      |                      |             |
|   |   | 6P+2EB       | F400SDR00636EB         |                                  |                                  |                       |             |                      |                      |             |
|    | 80A   | 2P           | F400SDR00802           | Removable Gland Plates Top & Btm | F2<br>400 x 300 x 200            | Sheet Steel           | IP65        | Traffic Red RAL 3020 | C9874/20-4           |             |
|   |   | 3P           | F400SDR00803           |                                  |                                  |                       |             |                      |                      |             |
|   |   | 3P+NL        | F400SDR00803NL         |                                  |                                  |                       |             |                      |                      |             |
|   |   | 3P+2EB       | F400SDR00803EB         |                                  |                                  |                       |             |                      |                      |             |
|   |   | 4P           | F400SDR00804           |                                  | F4<br>500 x 300 x 250            |                       |             |                      | C9874/20-9           |             |
|   |   | 4P+2EB       | F400SDR00804EB         |                                  |                                  |                       |             |                      |                      |             |
|   |   | 6P           | F400SDR00806           |                                  |                                  |                       |             |                      |                      |             |
|   |   | 6P+2EB       | F400SDR00806EB         |                                  |                                  |                       |             |                      |                      |             |
| 8P  | F400SDR00808  |              |                        |                                  |                                  |                       |             |                      |                      |             |
|   | 125A  | 2P           | F400SDR01252           | Removable Gland Plates Top & Btm | F4<br>500 x 300 x 250            | Sheet Steel           | IP65        | Traffic Red RAL 3020 | C9874/20-9           |             |
|   |   | 3P           | F400SDR01253           |                                  |                                  |                       |             |                      |                      |             |
|   |   | 3P+NL        | F400SDR01253NL         |                                  |                                  |                       |             |                      |                      |             |
|   |   | 3P+2EB       | F400SDR01253EB         |                                  |                                  |                       |             |                      |                      |             |
|   |   | 4P           | F400SDR01254           |                                  |                                  |                       |             |                      |                      |             |
|   |   | 6P           | F400SDR01256           |                                  |                                  |                       |             |                      |                      |             |
|   |   | 6P+2EB       | F400SDR01256EB         |                                  |                                  |                       |             |                      |                      |             |
|   |   | 8P           | F400SDR01258           |                                  |                                  |                       |             |                      |                      |             |
|  | 160A  | 3P           | F400SDR01603           | Removable Gland Plates Top & Btm | F5<br>600 x 500 x 200            | Sheet Steel           | IP65        | Traffic Red RAL 3020 | C9874/20-6           |             |
|   |   | 3P+NL        | F400SDR01603NL         |                                  |                                  |                       |             |                      |                      |             |
|   |   | 4P           | F400SDR01604           |                                  |                                  |                       |             |                      |                      |             |
|   |   | 6P           | F400SDR01606           |                                  |                                  |                       |             |                      |                      |             |
|   | 200A  | 3P           | F400SDR02003           | Removable Gland Plates Top & Btm | F5<br>600 x 500 x 200            | Sheet Steel           | IP65        | Traffic Red RAL 3020 | C9874/20-6           |             |
|   |   | 3P+NL        | F400SDR02003NL         |                                  |                                  |                       |             |                      |                      |             |
|   |   | 4P           | F400SDR02004           |                                  |                                  |                       |             |                      |                      |             |
|   | 250A  | 6P           | F400SDR02006           | Removable Gland Plates Top & Btm | F5<br>600 x 500 x 200            | Sheet Steel           | IP65        | Traffic Red RAL 3020 | C9874/20-6           |             |
|   |   | 3P           | F400SDR02503           |                                  |                                  |                       |             |                      |                      |             |
|   |   | 3P+NL        | F400SDR02503NL         |                                  |                                  |                       |             |                      |                      |             |
|   |  | 315A         | 4P                     | F400SDR02504                     | Removable Gland Plates Top & Btm | F7<br>800 x 600 x 300 | Sheet Steel | IP65                 | Traffic Red RAL 3020 | C9874/20-6  |
|   |   |              | 3P                     | F400SDR02506                     |                                  |                       |             |                      |                      |             |
| 6P  |   |              | F400SDR02506           |                                  |                                  |                       |             |                      |                      |             |
| 400A  |   | 3P           | F400SDR03153           | Removable Gland Plates Top & Btm | F6<br>800 x 600 x 200            | Sheet Steel           | IP65        | Traffic Red RAL 3020 | C9874/20-7           |             |
|   |   | 3P+NL        | F400SDR03153NL         |                                  |                                  |                       |             |                      |                      |             |
|   |   | 4P           | F400SDR03154           |                                  |                                  |                       |             |                      |                      |             |
| 630A  |   | 3P           | F400SDR04003           | Removable Gland Plates Top & Btm | F6<br>800 x 600 x 200            | Sheet Steel           | IP65        | Traffic Red RAL 3020 | C9874/20-7           |             |
|   |   | 3P+NL        | F400SDR04003NL         |                                  |                                  |                       |             |                      |                      |             |
|   |   | 4P           | F400SDR04004           |                                  |                                  |                       |             |                      |                      |             |
| 1250A   |   | 3P           | F400SDR06303           | Removable Gland Plates Top & Btm | F8<br>1000 x 600 x 300           | Sheet Steel           | IP65        | Traffic Red RAL 3020 | C9874/20-7           |             |
|   |   | 3P+NL        | F400SDR06303NL         |                                  |                                  |                       |             |                      |                      |             |
|   |   | 4P           | F400SDR06304           |                                  |                                  |                       |             |                      |                      |             |
|   | 3P  | F400SDR12503 | F9<br>1400 x 800 x 300 |                                  |                                  |                       |             |                      |                      | Sheet Steel |
| 3P+NL   | F400SDR12503NL  |              |                        |                                  |                                  |                       |             |                      |                      |             |

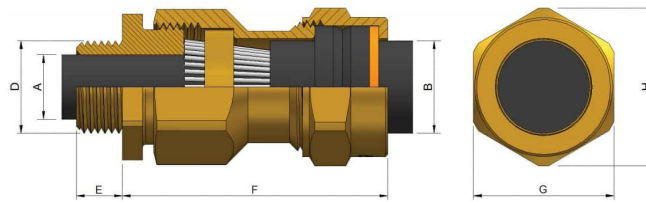
# Technical Data Sheet

## Fire Rated - F400 Enclosed Switch-Disconnectors

CDPD160  
Issue 10

Enhanced Performance Fire Resistance Cable Gland Sizes

| Size | Under Armour<br>max $\phi$ (A) | Overall $\phi$ (B) |      | Armour wire $\phi$ | Entry thread<br>(D) | Thread length | Protrusion<br>length (F) | Hexagon |         |
|------|--------------------------------|--------------------|------|--------------------|---------------------|---------------|--------------------------|---------|---------|
|      |                                | min                | max  |                    |                     |               |                          | A/F (G) | A/C (H) |
| 16   | 8.6                            | 8.0                | 13.2 | 0.9                | M16x1.5             | 10            | 44                       | 20.8    | 23.8    |
| 20SS | 8.6                            | 8.0                | 13.2 | 0.9                | M20x1.5             | 10            | 44                       | 23.4    | 26.7    |
| 20S  | 11.6                           | 8.0                | 15.8 | 0.9                | M20x1.5             | 10            | 46                       | 25.7    | 29.2    |
| 20   | 13.9                           | 11.7               | 20.8 | 0.9/1.25           | M20x1.5             | 10            | 46                       | 30.5    | 34      |
| 25   | 19.9                           | 17.0               | 27.2 | 1.25/1.6           | M25x1.5             | 10            | 51                       | 37.6    | 42.2    |
| 32   | 26.2                           | 23.5               | 33.5 | 1.6/2.0            | M32x1.5             | 10            | 56                       | 47.3    | 53.6    |
| 40   | 32.1                           | 29                 | 39.9 | 1.6/2.0            | M40x1.5             | 15            | 59                       | 56.4    | 61.5    |
| 50S  | 38.1                           | 38                 | 46.2 | 2.0/2.5            | M50x1.5             | 15            | 64                       | 65.5    | 72.1    |
| 50   | 44.0                           | 39.5               | 52.6 | 2.0/2.5            | M50x1.5             | 15            | 64                       | 70.1    | 77.2    |
| 63   | 55.9                           | 51.3               | 65.3 | 2.5                | M63x1.5             | 15            | 67                       | 80      | 87.4    |
| 75   | 67.9                           | 62.5               | 78   | 2.5                | M75x1.5             | 15            | 76                       | 98.8    | 109.2   |
| 85   | 74                             | 68                 | 88   | 3.15               | M85x2.0             | 20            | 110                      | 115     | 126     |



### Technical Specification

| Application                                    | Sym.      | Unit          | Category        | 20A                | 25A     | 32A     | 40A     | 40A T   | 63A     | 80A      | 125A     |        |
|--|-----------|---------------|-----------------|--------------------|---------|---------|---------|---------|---------|----------|----------|--------|
| Rated thermal current                          | $I_{the}$ | A             |                 | 20                 | 25      | 32      | 40      | 40      | 63      | 80       | 125      |        |
| Rated Insulation voltage                       | $U_i$     | V             |                 | 690                | 690     | 690     | 690     | 690     | 690     | 690      | 690      |        |
| Rated Impulse voltage                          | $U_{imp}$ | kV            |                 | 6                  | 6       | 6       | 6       | 6       | 6       | 6        | 6        |        |
| Rated operational current (3 phase AC 50/60Hz) | $I_e$     | A             | 415V- AC23A     | 20                 | 25      | 32      | 32      | 40      | 63      | 80       | 100      |        |
|  |           |               | 690V- AC23A     | -                  | -       | -       | -       | -       | -       | -        | -        |        |
|  |           |               | 690V- AC23B     | 20                 | 20      | 20      | -       | -       | -       | -        | -        |        |
|  |           |               | 660V- AC23B     |                    |         |         |         |         |         | 30       | 30       |        |
| Rated operational power                        | $P_e$     | kW            | 415V            | 9.5                | 11      | 15      | 15      | 18.5    | 30      | 40       | 55       |        |
| Conditional short circuit current              | Fuse gG   | kA / Fuse (A) | 415V            | 50 / 32            | 50 / 32 | 50 / 32 | 50 / 32 | 50 / 40 | 50 / 63 | 50 / 150 | 50/200   |        |
|  |           |               | 690V            | 40 / 32            | 40 / 32 | 40 / 32 | 40 / 32 | -       | -       | 50 / 63  | 50/63    |        |
| Short circuit making capacity (1 sec)          | $I_{cm}$  | kA            | Peak value      | -                  | -       | -       | -       | -       | -       | -        | -        |        |
| Short circuit withstand (1 sec)                | $I_{cw}$  | kA            | RMS value       | -                  | -       | -       | -       | -       | -       | 1.5      | 1.5      |        |
| Recommended connecting capacity                |           |               | Terminal type   |                    |         |         |         |         |         |          |          |        |
|  |           |               | mm <sup>2</sup> | Flexible cable     | 6       | 6       | 6       | 6       | 10      | 10       | 50       | 50     |
|  |           |               | mm <sup>2</sup> | Rigid cable        | 10      | 10      | 10      | 10      | 16      | 16*      | 35       | 50     |
|  |           |               | mm              | Stud/Cu Palm Width | -       | -       | -       | -       | -       | -        | M10 / 21 | M10/21 |
|  |           |               | Nm              | Tightening torque  | 1.2     | 1.2     | 1.2     | 1.2     | 2       | 2        | 12       | 12     |

\* 63A in die-cast aluminium enclosure = 16mm<sup>2</sup>. 63A in sheet steel enclosure = 25mm<sup>2</sup>

# Technical Data Sheet

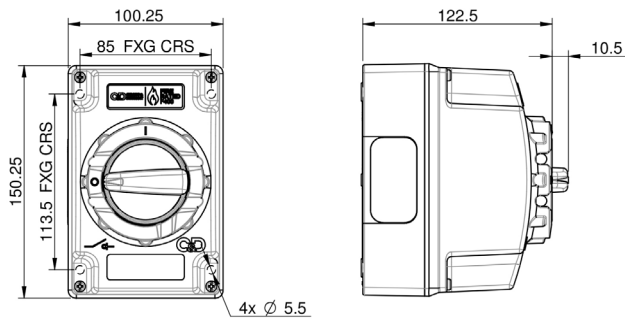
## Fire Rated - F400 Enclosed Switch-Disconnectors

CDPD160  
Issue 10

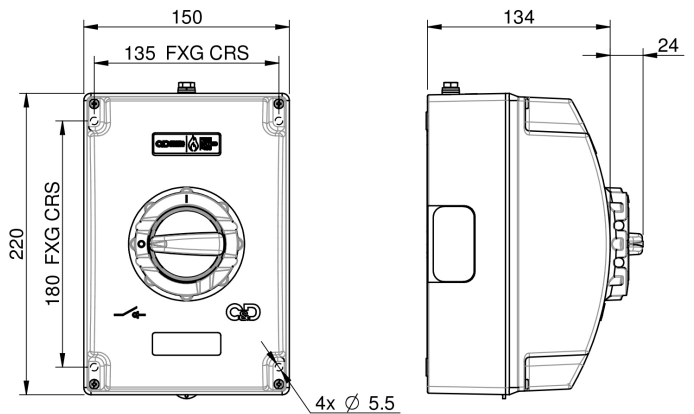
| Application                                    | Sym.         | Unit          | Category        | 160A               | 200A     | 250A     | 315A     | 400A     | 630A     | 1250A    |          |
|--|--------------|---------------|-----------------|--------------------|----------|----------|----------|----------|----------|----------|----------|
| Rated Thermal current                          | $I_{t_{he}}$ | A             |                 | 160                | 200      | 250      | 315      | 400      | 630      | 1250     |          |
| Rated Insulation voltage                       | $U_i$        | V             |                 | 1000               | 1000     | 1000     | 1000     | 1000     | 1000     | 1000     |          |
| Rated Impulse voltage                          | $U_{imp}$    | kV            |                 | 12                 | 12       | 12       | 12       | 12       | 12       | 8        |          |
| Rated operational Current (3 phase AC 50/60Hz) | $I_e$        | A             | 415V- AC23A     | 160                | 200      | 250      | 315      | 400      | 630      | 1250     |          |
|  |              |               | 690V- AC23A     | 160                | 200      | 250      | 315      | 350      | 350      | -        |          |
| Rated operational power                        | $P_e$        | kW            | 415V            | 90                 | 110      | 132      | 200      | 315      | 355      | 500      |          |
| Conditional Short Circuit Current              | Fuse gG      | kA / Fuse (A) | 415V            | 50 / 160           | 50 / 200 | 50 / 250 | 50 / 315 | 50 / 400 | 50 / 630 | 50/1250  |          |
|  |              |               | 690V            | 50 / 160           | 50 / 200 | 50 / 250 | 50 / 315 | 50 / 400 | 50 / 630 | 50/1250  |          |
| Short circuit making capacity (1 sec)          | $I_{cm}$     | kA            | Peak value      | 35                 | 35       | 35       | 65       | 65       | 80       | 105      |          |
| Short circuit withstand (1sec)                 | $I_{cw}$     | kA            | RMS value       | 8                  | 8        | 8        | 17       | 17       | 17       | 50.0     |          |
| Recommended connecting capacity                |              |               | Terminal type   |                    |          |          |          |          |          |          |          |
|  |              |               | mm <sup>2</sup> | Flexible cable     | 95       | 95       | 120      | 2 / 150  | 2 / 150  | 2 / 185  | 4 / 300  |
|  |              |               | mm <sup>2</sup> | Rigid cable        | 95       | 95       | 120      | 2 / 150  | 2 / 150  | 2 / 185  | 4 / 300  |
|  |              |               | mm              | Stud/Cu Palm Width | M10 / 30 | M10 / 30 | M10 / 30 | M10 / 30 | M10 / 40 | M10 / 40 | M12 / 60 |
|  |              |               | Nm              | Tightening torque  | 30       | 30       | 30       | 30       | 30       | 30       | 50       |

### Dimensions

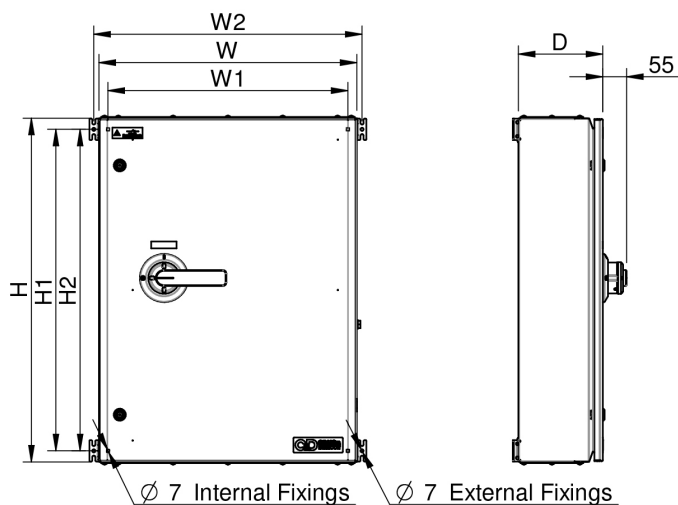
Enclosure FA



Enclosure FB



Enclosures F1- F8



| Dims | Enclosure Size |     |     |     |     |     |     |      |      |
|------|----------------|-----|-----|-----|-----|-----|-----|------|------|
|      | F1             | F2  | F3  | F4  | F5  | F6  | F7  | F8   | F9   |
| H    | 300            | 400 | 500 | 500 | 600 | 800 | 800 | 1000 | 1400 |
| W    | 300            | 300 | 300 | 300 | 500 | 600 | 600 | 600  | 800  |
| D    | 150            | 200 | 200 | 250 | 200 | 200 | 300 | 300  | 300  |
| H1   | 248            | 348 | 448 | 448 | 548 | 748 | 748 | 948  | 1288 |
| W1   | 258            | 258 | 258 | 258 | 458 | 558 | 558 | 558  | -    |
| H2   | 248            | 348 | 448 | 448 | 548 | 748 | 748 | 948  | 1288 |
| W2   | 324            | 324 | 324 | 324 | 524 | 624 | 624 | 624  | 844  |