

4

3

2

1

F

F

E

E

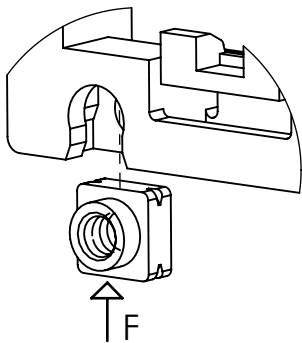
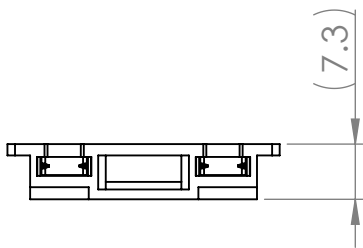
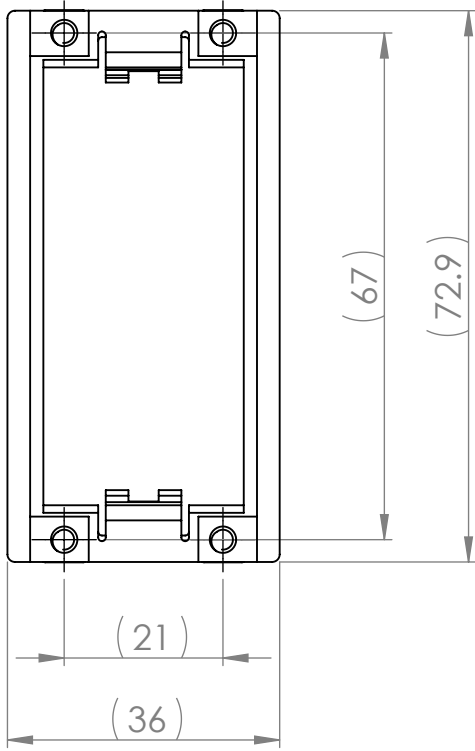
D

D

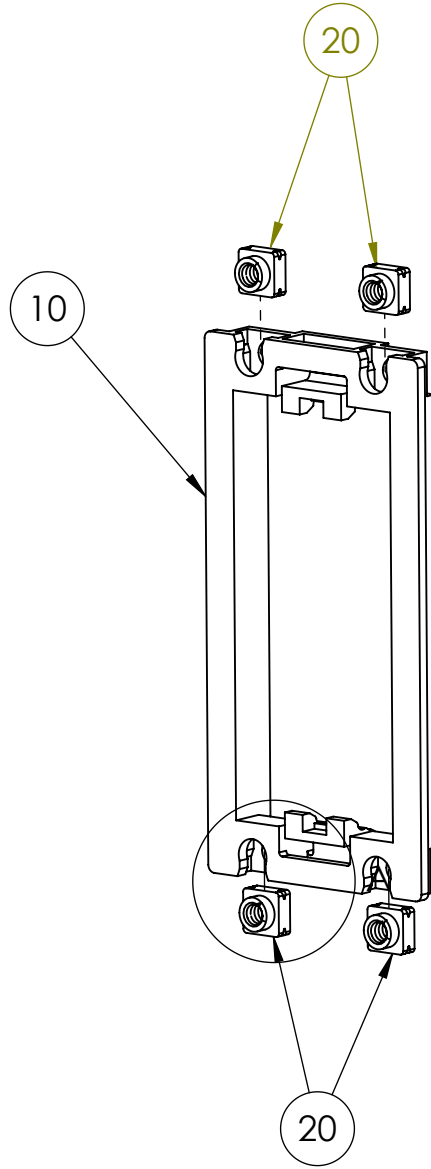
C

B

This drawing remains our property and is not to be copied without our permission, nor to be communicated to any competitor or other unauthorized person.



DETAIL A  
SCALE 2 : 1



A

A

Drawn by Marten Km 210408	Date	Approved by	Date	Material	Weight kg	Surface finish	Projection 	
				Description QF17 Holder Assy.	Size A4		Scale 1:1	Sheet 1 of (1)
					Drawing number EC211002-1		Revision A	