

Technical Data Sheet

Sheet Steel Enclosed Switchgear Range

CDPD120
Issue 2

General Description

A range of sheet steel enclosed isolation equipment sealed to IP66, providing the user with a robust and cost effective assembly. Each unit is supplied with a polyester powder coated finish in Light Grey (RAL 7035). External mounting feet in stainless steel are offered as an accessory sized to match each enclosure. Size A- Cat. No. EFA / Size B- Cat. No. EFB

All units have a padlockable handle which allow for the insertion of up to three padlocks in the 'Off' position thus preventing the isolator being switched to the 'On' position. All units are interlocked in the ON position preventing the lid from being removed. Standard shackle diameter $\varnothing 6.4$ Earth continuity terminals are provided in the base and lid of each enclosure. A selection of auxiliary blocks can be provided as additional contacts as well as a choice of Neutral assemblies.

*Corrosive Environment

When choosing an enclosure, care must be taken to select the most suitable material taking into account the location, level of pollution, temperature, UV levels, vibration and humidity.

Typical enclosure materials include Aluminium, powder coated Mild Steel or Stainless Steel. Enclosures that are sealed to IP65 are commonly mistaken as being suitable for all outside environments. A powder coated mild steel or Aluminium enclosure will degrade and corrode under certain environmental conditions.

Installing enclosures in an external environment may also result in condensation forming on the inside of the enclosure, resembling water ingress. This is caused by a difference in temperature between inner and outer surfaces of the enclosure and the most common solution is to fit an anti-condensation heater and breather gland within the enclosure.

When the product is subject to chemical cleaning a stainless steel enclosure is recommended although the correct grade of stainless steel must be selected. If in doubt, please consult our technical department on sales@craigandderricott.com or +44(0)1543 375 541.



'N' = switched neutral (Early make, late break) | 'NL' = Unswitched neutral | 'EB' = Early break auxiliary contacts

Switch-Disconnectors (O-I)										
Image	Rating	Interior Switch	Format	Cat. No.	IP Rating	Encl. Size	Encl. Material	Encl. Colour	Cable Entries	
	20A	GX20	6P	SDMG206	IP66	A	Sheet Steel	Light Grey RAL 7035	2 x M20	
			6P+2EB Aux	SDMG206EB						
	25A	CS25	2P	SDMG252	IP66	A	Sheet Steel	Light Grey RAL 7035	2 x M20	
			3P	SDMG253						
			3P+NL	SDMG253NL						
			3P+N	SDMG253N						
			3P+2EB Aux	SDMG253EB						
	32A	CS32	2P	SDMG322	IP66	A	Sheet Steel	Light Grey RAL 7035	2 x M20	
			3P	SDMG323						
			3P+NL	SDMG323NL						
3P+N			SDMG323N							
3P+2EB Aux			SDMG323EB							
	40A	CS40R	2P	SDMG402	IP66	B	Sheet Steel	Light Grey RAL 7035	2 x M20 + 2 x M25	
			3P	SDMG403						
			3P+NL	SDMG403NL						
			3P+N	SDMG403N						
			3P+2EB Aux	SDMG403EB						
	63A	GX40	CS63	6P	SDMG406	IP66	B	Sheet Steel	Light Grey RAL 7035	2 x M20 + 2 x M25
				6P+2EB Aux	SDMG406EB					
				2P	SDMG632					
				3P	SDMG633					
				3P+NL	SDMG633NL					
3P+N	SDMG633N									
			3P+2EB Aux	SDMG633EB						

Technical Data Sheet

Sheet Steel Enclosed Switchgear Range

CDPD120
Issue 2

Switch-Disconnectors (O-I)									
Image	Rating	Interior Switch	Format	Cat. No.	IP Rating	Encl. Size	Encl. Material	Encl. Colour	Cable Entries
	80A	GA080A	2P	SDMG802	IP66	C	Sheet Steel	Light Grey RAL 7035	-
			3P	SDMG803					
			3P+1EB	SDMG803/1EB					
			3P+N	SDMG803N					
			3P+NL	SDMG803NL					
	100A	GA0100A	2P	SDMG1002	IP66	C	Sheet Steel	Light Grey RAL 7035	-
			3P	SDMG1003					
			3P+1EB	SDMG1003/1EB					
			3P+N	SDMG1003N					
			3P+NL	SDMG1003NL					
Changeover Switch-Disconnectors (I-O-II)									
	20A	GX20	2P	SCODMG202	IP66	A	Sheet Steel	Light Grey RAL 7035	2 x M20
			3P	SCODMG203					
			4P	SCODMG204					
	40A	GX40	2P	SCODMG402	IP66	B	Sheet Steel	Light Grey RAL 7035	2 x M20 + 2 x M25
			3P	SCODMG403					
			4P	SCODMG404					

Accessories

All of the accessories listed below can be retrofitted. One block can be fitted either side of the main assembly on all of the 3 pole Switch-Disconnector interiors.

Description	Cat. No.
Auxiliary Contact- 2 Early Break	SAUX2EB
Auxiliary Contact- 1 N/O + 1 N/C	SAUXCO
80A- 100A Auxiliary Contact- 1 Early Break for GA switches	SAUX1EBL
80A- 100A Auxiliary Contact- 1 N/O + 1 N/C for GA switches	SAUXCOL
25A- 40A Compact Neutral (Unswitched)	SNLC40
63A Neutral (Unswitched)	SNL63
80A- 100A Neutral (Unswitched) for GA switches	SNL100L
25A Neutral (Switched)	SSP25
40A Neutral (Switched)	SSP40
63A Neutral (Switched)	SSP63
80A Neutral (Switched) for GA switches	SSP80L
100A Neutral (Switched) for GA switches	SSP100L
External Fixing Feet for 20A- 32A	EFA
External Fixing Feet for 40A- 63A	EFB
External Fixing Feet for 80A- 100A	EFC

Technical Data Sheet

Sheet Steel Enclosed Switchgear Range

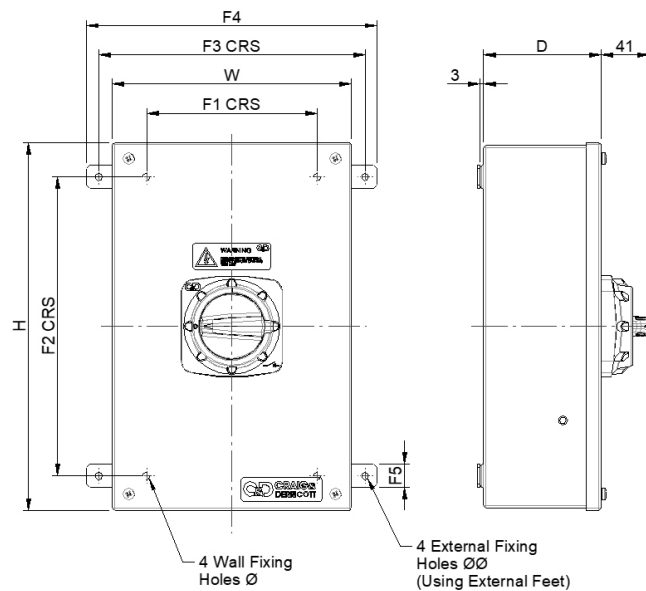
CDPD120
Issue 2

Technical Specification

Data supplied against tests to IEC/BS EN 60947-3

Application	Sym.	Unit	Category	20A	25A	32A	40A	63A	80A	100A	
Interior Switch	-	-		GX20	CS25	CS32	GX40	CS40R	CS63	GA080A	GA0100A
Rated thermal current	I_{the}	A		20	25	32	40	40	63	80	100
Rated insulation voltage	U_i	V		690	690	690	690	690	1000	1000	
Rated impulse voltage	U_{imp}	kV		6	6	6	6	6	8	8	
Rated operational Current	I_e	A	400V- AC23A (3 phase AC 50/60Hz)	15	25	32	35	32	60	80	
Rated operational power (3 phase AC)		kW	380/440- AC23	7.5	11	15	18.5	15	25	45	55
			500V- AC23	7.5	15	15	15	15	30	-	-
			690V- AC23	7.5	15	15	15	15	30	45	45
Rated short time withstand current (1 sec)	I_{cw}	A		250	500	600	800	600	1300	2500	2500
Max. fuse size for short circuit protection (gG Characteristic)		kA	10kA	20	35	35	40	40	80	-	-
			25kA	16	32	32	35	32	63	-	-
			50kA	-	32	32	-	32	63	80	100
Recommended connecting capacity			Terminal type								
			mm ² Flexible cable	2.5x2	6	6	6 x 2	6	16	50	50
			mm ² Rigid cable	2.5x2	10	10	10 x 2	10	25	70	70
			Nm Tightening torque	1.0	1.2	1.2	1.0	1.2	1.2	5..6	5..6

Dimensions



Encl. Size	Overall Dims.			Internal Fixings			External Fixing Feet			
	H	W	D	F1	F2	∅	F3	F4	F5	∅∅
A	135	100	80	51	86	5.5	126	140	16	6.35
B	175	130	100	81	126	5.5	155	178	16	6.35
C	310	200	100	146	256	6.5	228	249	20	6.35